



**HIRSCHMANN**

Hirschmann Automation and Control GmbH

# **GRS103 HiOS-2A Rel. 10300**

**Reference Manual**

Graphical User Interface

**User Manual**

Configuration

















---





---

---

---

---

---

---

---

---

---

---









---

+

-









---

---



---

---

















---

---

---



---

---

---







---

---

✓

---

---

---

---

---

---

---



---

---

---











---

+

---

---

---

---

---







---

≡

≡

≡





---

---

---

---

---

---

---

---

---

---

---

---









---

---

---

---

---



---

---

---

---

---

---

---



---





---







---





















---





---

+

x



---



---

---

---

---

---

---

$\mathbb{B}^+$

$\mathbb{B}^{\times}$

$\mathbb{B}^+$







---

---

---

---

Ⓜ  
+













---

+

x

---



---









---





---

---



---

---

---









---

---

---

---

✓

---

---

---

---

---



---

---

+

x

---





---



---



---





---

✖







---

+

-





---

---

---

---

---

---









---



---

---

---

---

---

---

---













---

0  
x



---

0  
x





---

$\mathbb{B}^+$

$\mathbb{B}^{\times}$

$\mathbb{B}^+$







---

+

x



---

+

x













---

---

---



---





---

$\mathbb{B}^+$

+

$\mathbb{B}^x$



---



---

$\mathbb{B}^+$

+

$\mathbb{B}^x$



---

---

+







---



---

---

---

---

---

---

---







---

B+

Bx

















---







---



---





---



---













---





---

---

---

---



---

---

---

---









---

---

---

---

---

---

---

---

---

---

---

---

---

---

---

---



---

---

---

---

---

---

---









---

⊕

⊗



---

---

---

---

---

---

---





---



---

---

---



---

---

---

---



---

---

---





---



---



---

---

---

---

---









---



---

$\mathbb{R}^+$

$\mathbb{R}^{\times}$



---





---



---

+

x



---

---

---


---

---

---









---

---

---

---

---

---

---

---

---

---

---





---

---

---

---





















---



---



---



---

---

---





---



---



---



---

---

Ⓜ+



---

✖







---









---

□

+



---







---

---

---



---











---

---

---

---

---

---

---

---

---

---

---

---

+

x



---





















---

---

---













---



---













---



---

---

---



---

---

---

---

---

---

---

---



































---



---

---

---









---

---

---





---



---

---

---

---

+

x





---

---

---





---



---





---

---

✓ ②











---

⊕

⊗



---

---

⊕

⊗

---

---

---

---



---

---

---

---

---

---

---

---







---

+

x









---

+

x









---

+























A series of 20 horizontal black lines, evenly spaced, intended for writing or drawing.





**HIRSCHMANN**

































---

---

---

---

---

---

---

---

---

---







---

---

---

---

---

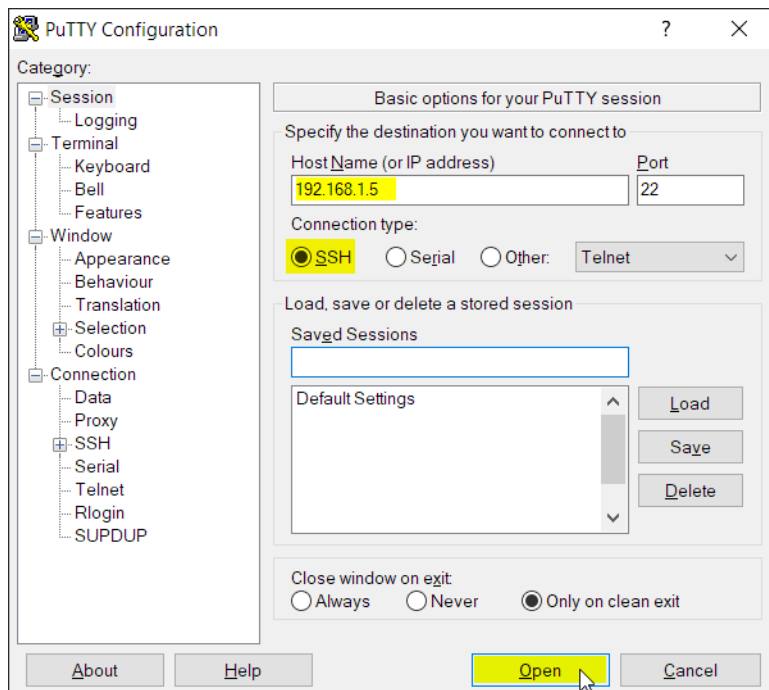
---

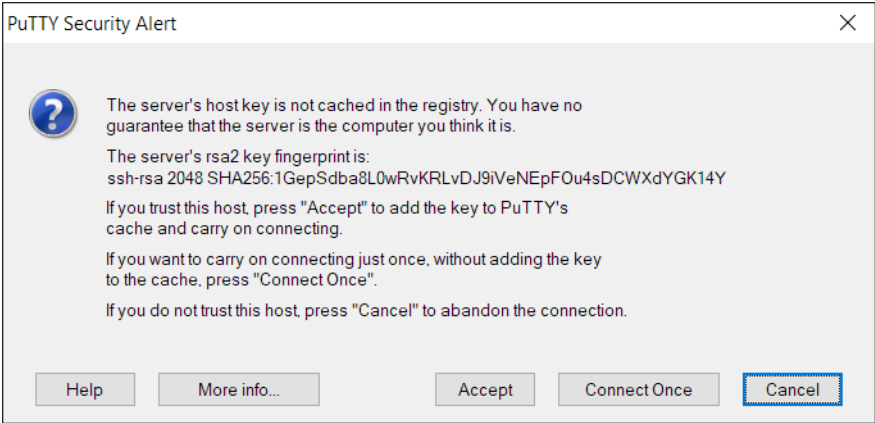
---

---





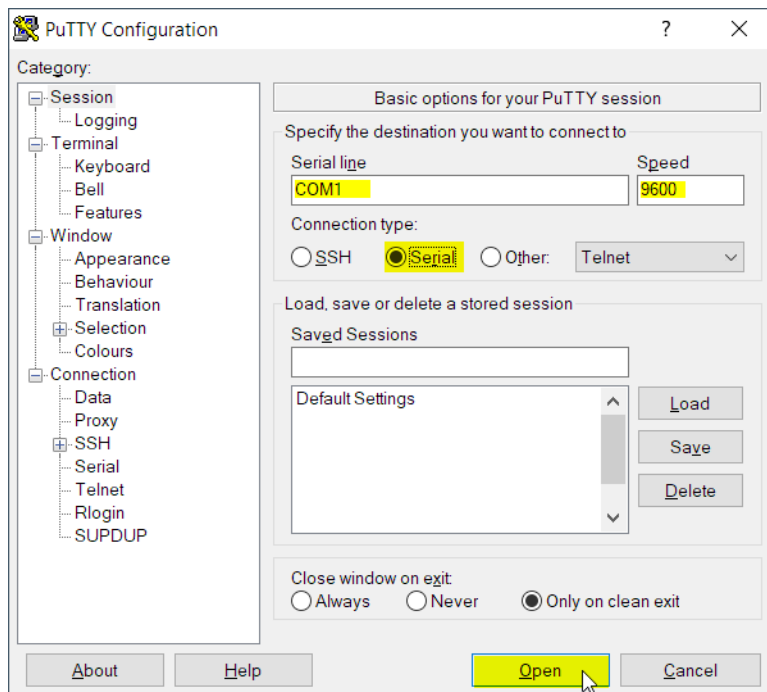




---

---

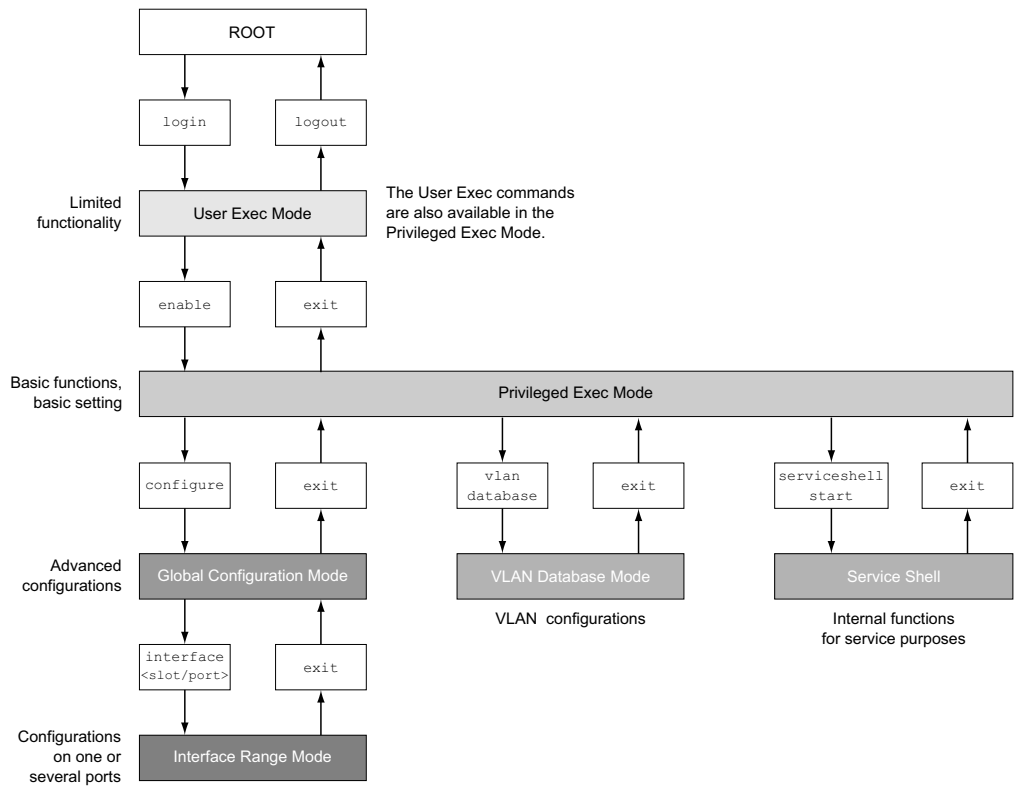
---



---

---

---



---

---

---

---

---



---

---

---

---

---

---

---

---





A series of 20 horizontal black lines, evenly spaced, intended for writing or drawing.

---

---

---

---

---

---

---

---

---

---

---



---

---

---

---



---

---

---





---

---

---

---

---

---

---

---

---

---

---

---

---

---

---

---

---

---

---

---

---

---

---

---

---

---

---

---

---

---

---

---



0	Net ID - 7 bits	Host ID - 24 bits	Class A
1 0	Net ID - 14 bits	Host ID - 16 bits	Class B
1 1 0	Net ID - 21 bits	Host ID - 8 bits	Class C
1 1 1 0	Multicast Group ID - 28 bits		Class D
1 1 1 1	reserved for future use - 28 bits		Class E

Decimal notation  
255.255.192.0

Binary notation  
11111111.11111111.11000000.00000000



Decimal notation

129.218.65.17

└─── 128 < 129 191 > Class B

Binary notation

10000001.11011010.01000001.00010001

└─── Subnetwork 1  
└─── Network address

Decimal notation

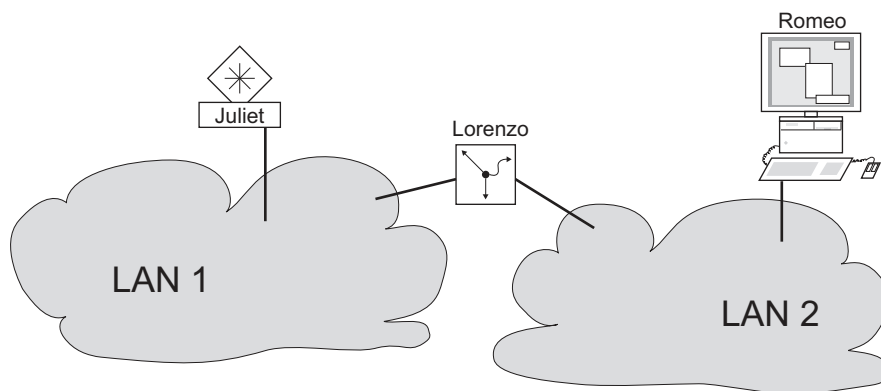
129.218.129.17

└─── 128 < 129 191 > Class B

Binary notation

10000001.11011010.10000001.00010001

└─── Subnetwork 2  
└─── Network address

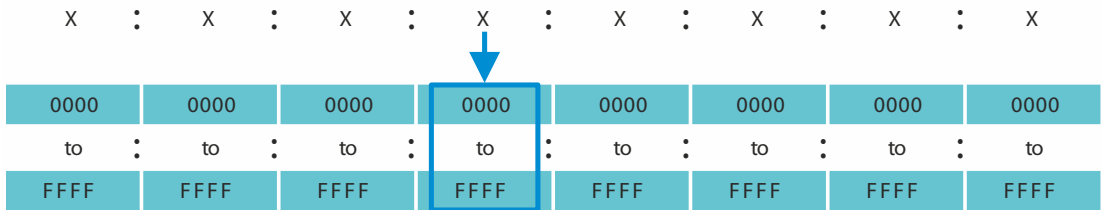


IP address, decimal	Network mask, decimal	IP address, binary
192.168.112.1	255.255.255.128	11000000 10101000 01111000 00000001
192.168.112.127		11000000 10101000 01111000 01111111
		----- 25 mask bits -----
CIDR notation: 192.168.112.0/25		
	-----	Mask bits

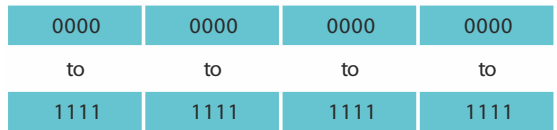
---

---

---



in binary




---



---



---



---



---



---



---



---

---

64 bits prefix length

64 bits interface ID

Address example: 2009:0CB8:0000:0004::10 / 64

2009:0CB8:0000:0004

0000:0000:0000:0010

---

---

---

---

---

---

---

---

---

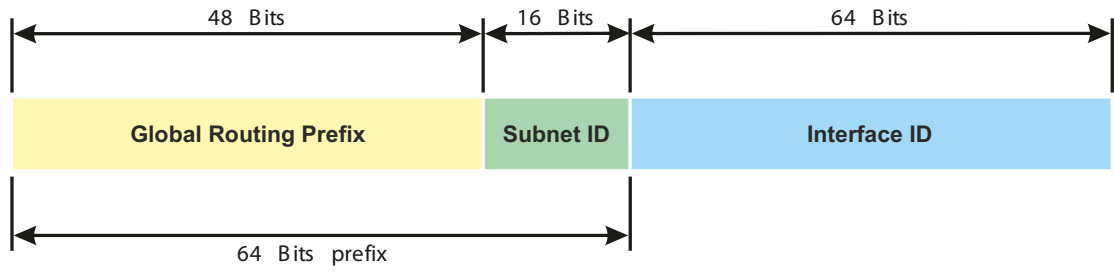
---

---

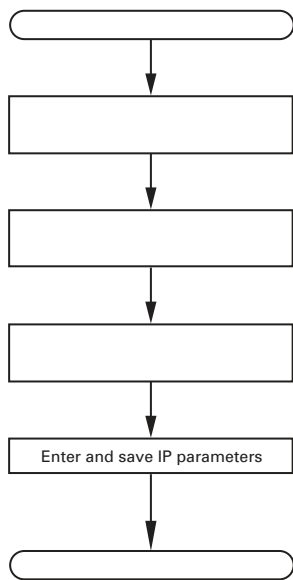
---

---

---








---

---

```
NOTE: Enter '?' for Command Help. Command help displays all opt
that are valid for the particular mode.
For the syntax of a particular command form, please
consult the documentation.

!( )>
```

---



```
NOTE: Enter '?' for Command Help. Command help displays all opt
that are valid for the particular mode.
For the syntax of a particular command form, please
consult the documentation.
```

```
!( )>
```



File Edit Options ?							
Id #	MAC Address	Writable	IP Address	Net Mask	Default Gateway	Product	Name
1	00:80:63:A4:CC:00	<input checked="" type="checkbox"/>	10.115.0.76	255.255.224.0	10.115.0.3		
2	00:80:63:C0:50:00	<input type="checkbox"/>	10.115.0.33	255.255.224.0	10.115.0.3		
3	00:80:63:A3:40:00	<input type="checkbox"/>	10.115.0.70	255.255.224.0	10.115.0.3		
4	00:80:63:98:14:00	<input type="checkbox"/>	10.115.0.17	255.255.224.0	10.115.0.3		
5	00:80:63:96:E4:00	<input type="checkbox"/>	0.0.0.0	0.0.0.0	0.0.0.0		
6	00:80:63:46:00:06	<input checked="" type="checkbox"/>	192.168.2.181	255.255.255.0	192.168.2.1		
7	00:80:63:A3:40:40	<input type="checkbox"/>	10.115.0.59	255.255.224.0	10.115.0.3		
8	00:80:63:A4:CC:40	<input type="checkbox"/>	10.115.0.81	255.255.224.0	10.115.0.3		
9	00:80:63:6E:38:4E	<input checked="" type="checkbox"/>	192.168.2.174	255.255.255.0	192.168.2.1		
10	00:80:63:18:2A:61	<input checked="" type="checkbox"/>	192.168.2.170	255.255.255.0	192.168.2.1		
11	00:80:63:A3:40:80	<input type="checkbox"/>	10.115.0.66	255.255.224.0	10.115.0.3		
12	00:80:63:A4:CC:80	<input type="checkbox"/>	10.115.0.80	255.255.224.0	10.115.0.3		
13	00:80:63:61:AC:81	<input checked="" type="checkbox"/>	192.168.2.176	255.255.255.0	192.168.2.1		
14	00:80:63:98:10:95	<input type="checkbox"/>	10.115.0.22	255.255.224.0	10.115.0.3		
15	00:80:63:61:AC:AB	<input checked="" type="checkbox"/>	192.168.2.40	255.255.255.0	192.168.2.1		
16	00:80:63:3B:5C:BD	<input checked="" type="checkbox"/>	192.168.2.178	255.255.255.0	192.168.2.1		
17	00:80:63:A3:40:C0	<input type="checkbox"/>	10.115.0.72	255.255.224.0	10.115.0.3		
18	00:80:63:8F:2C:BE	<input type="checkbox"/>	10.115.0.40	255.255.224.0	10.115.0.3		
19	00:80:63:88:38:EC	<input checked="" type="checkbox"/>	192.168.110.92	255.255.255.0	0.0.0.0		
20	00:80:63:9B:11:00	<input type="checkbox"/>	10.115.0.35	255.255.224.0	10.115.0.3		
21	00:80:63:A4:CD:00	<input type="checkbox"/>	10.115.0.77	255.255.224.0	10.115.0.3		
22	00:80:63:99:41:08	<input type="checkbox"/>	10.115.0.13	255.255.224.0	10.115.0.3		
23	00:80:63:17:35:08	<input checked="" type="checkbox"/>	192.168.2.164	255.255.255.0	192.168.2.1		
24	00:80:63:44:19:2E	<input checked="" type="checkbox"/>	10.115.5.130	255.255.224.0	10.115.0.3		

**Properties** [X]

MAC Address: 00:80:63:A3:40:00

Name: Power Unit 1 Switch 2

IP Configuration

IP Address: 10 . 115 . 0 . 70 Set Default ()

Net Mask: 255 . 255 . 224 . 0 Set Default ()

Default Gateway: 10 . 115 . 0 . 3 Set Default ()

Save As Default

Ok Cancel

---

---

---

---





---

---

---

---

✓

✓

⊞  
+







---

---

---

---

---

---

---

---

---

---

---

---

---

---

---







---

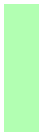
---

---



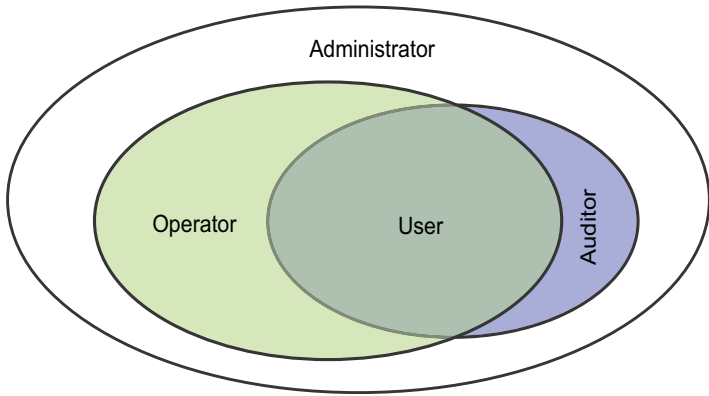


B+









---

---

---

---

---

---

---

---



---

---

---

---

---

---

---

---

---





---

---

✓



---

---



⊞+



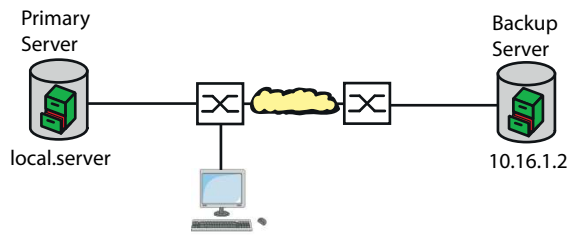


0  
x





---



---

---

---

---

---

---

---

---

---

---

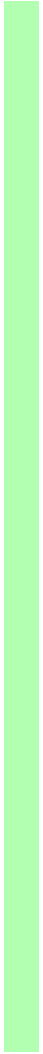




+

+

+







Vertical green bar

Vertical green bar

Vertical green bar





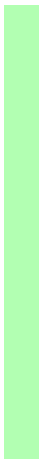












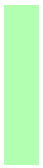
---







- [REDACTED] [REDACTED]  
[REDACTED]  
[REDACTED]





---

---

---

---

---

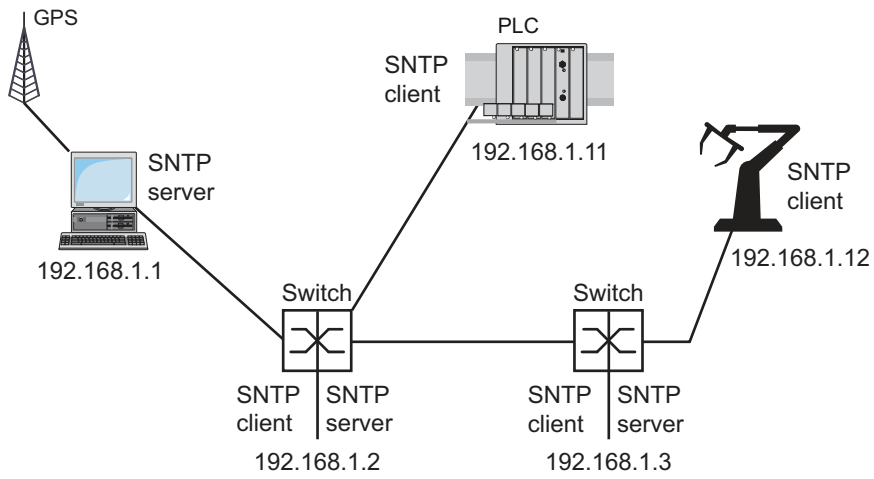
---

---

---

---

---



---

---

---

---



+

✓

---

---

---

---

---

---



---

---

✓

---

---

---

---

---

---

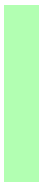
---

---

---

---

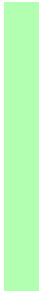
---



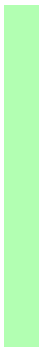








=



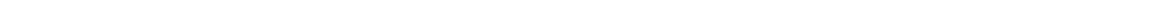
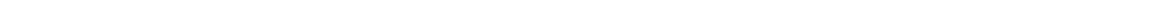








≡













≡





---

---

---



---

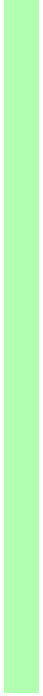
---











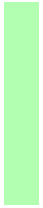








---

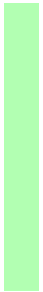




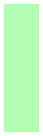
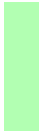














---

---

---

---

---

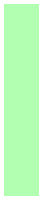
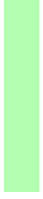


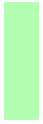
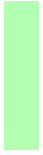
田  
+

田  
+













B+





---

---

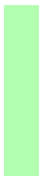
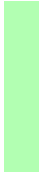
---















---

---

---

---

---



⊕

+

⊗

✓

---

---

---

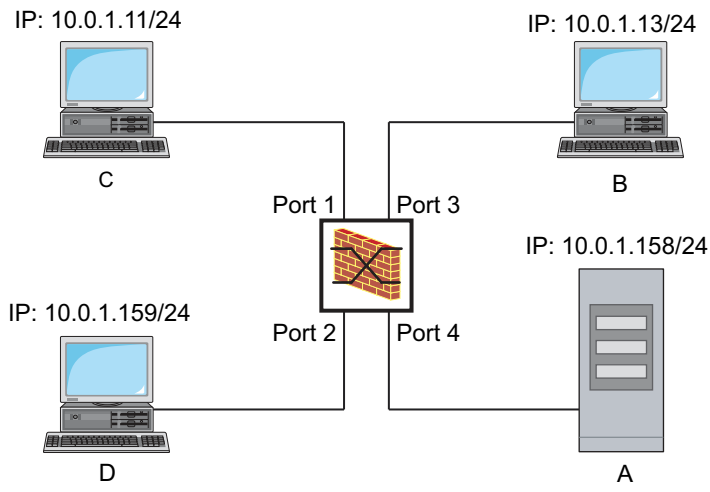
---

---

---

---







$\beta$

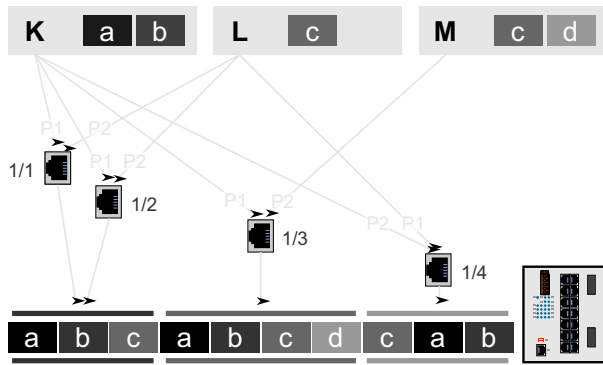
+

$\beta$

✓








---



---



---



---



---



---

---





⌘+

















---

---

---

---

---

---

---

---

---

---

---

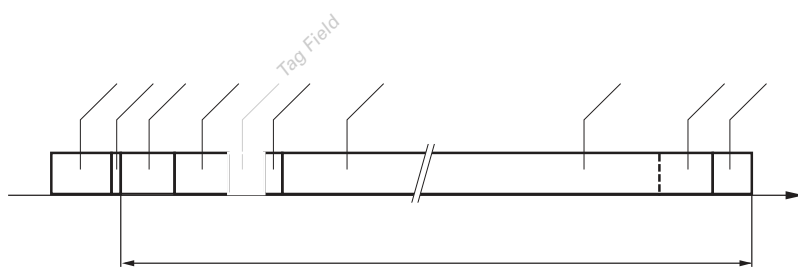
---

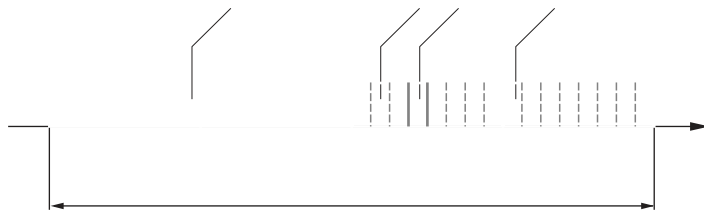












---

---

---

---

---

---

---

---

---

---

---

---

---







- [Placeholder text]

- [Placeholder text]

- [Placeholder text]

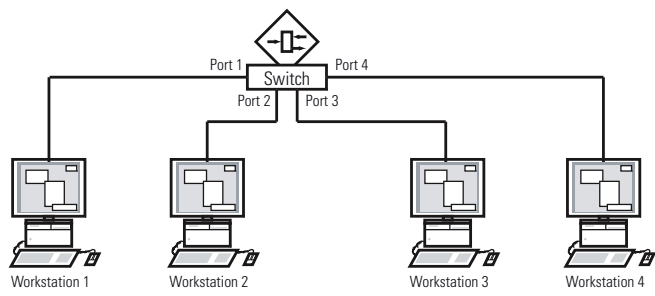
- [Placeholder text]

[Placeholder text]











---

---



---

---

---



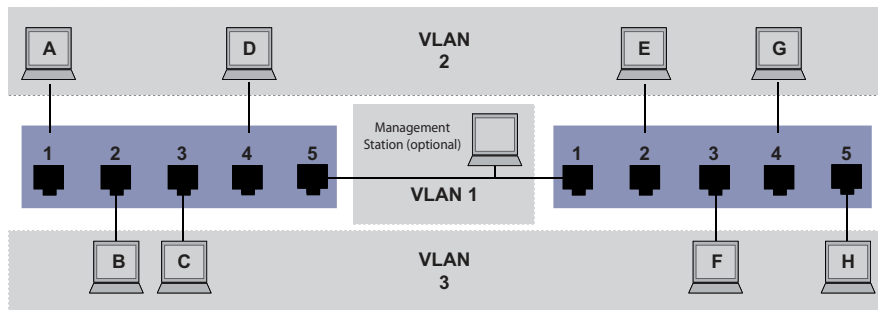


B+









---

---

---

---

---

---

---

---

---

---

---

---

---

---

---

---

---

---

---

---

---

---

---

---

---

---



+









B+

B+





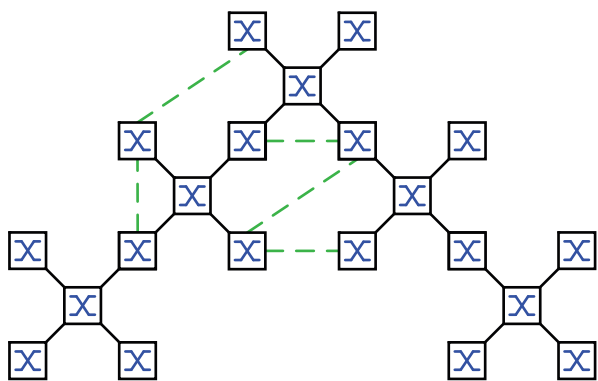
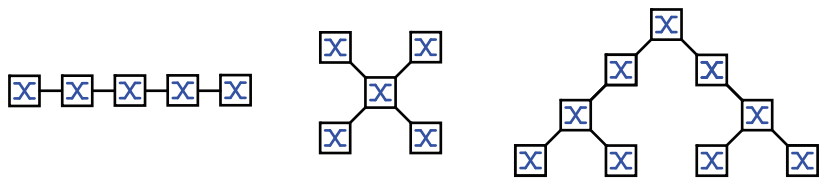


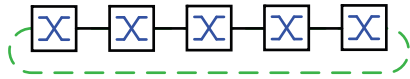












---

---

---

---

---

---

---

---

---

---

---

---

---

---

---

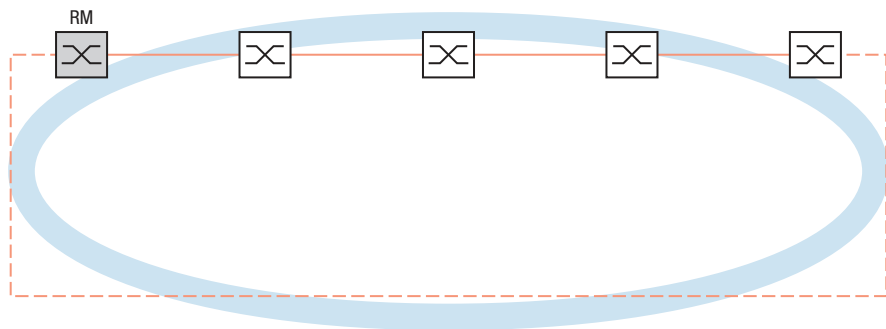
---

---

---

---







---

---

---

---

---

---

---

---

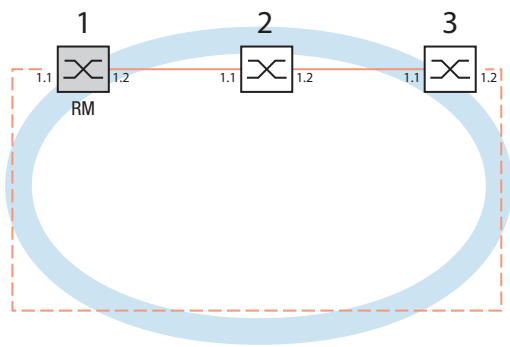
---

---

---

---

---



---

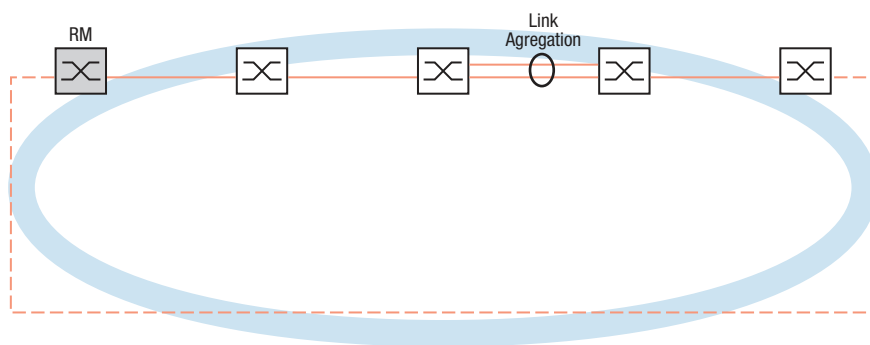
---

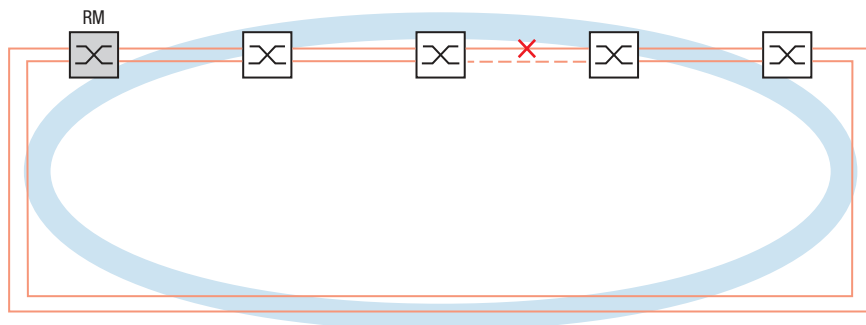
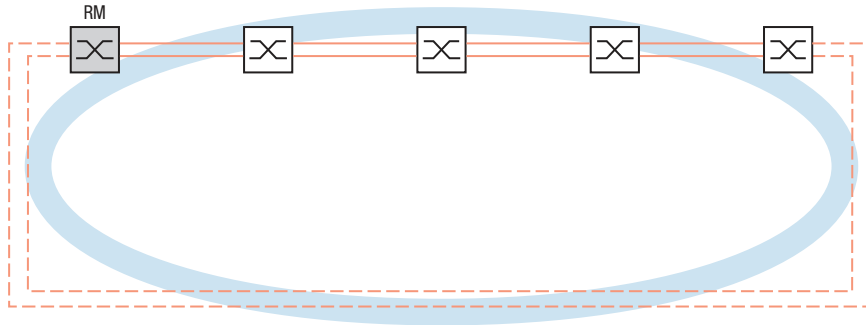
---



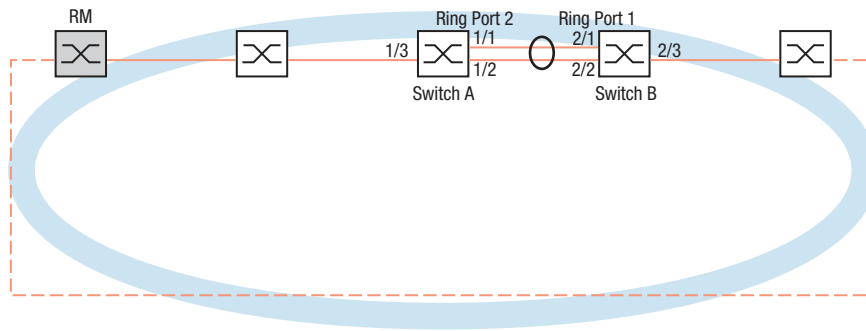






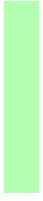






+





---

---

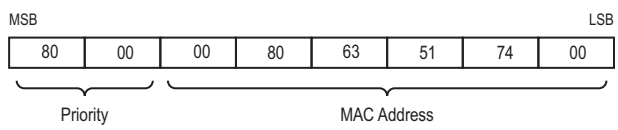
---

---

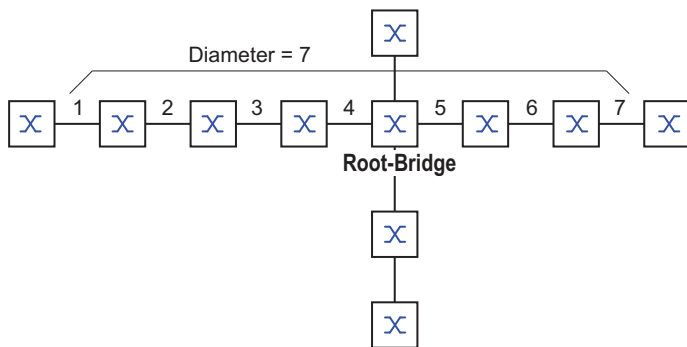
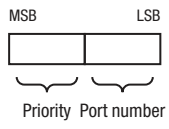
---

---

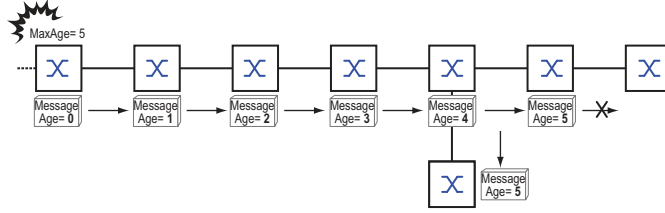
---

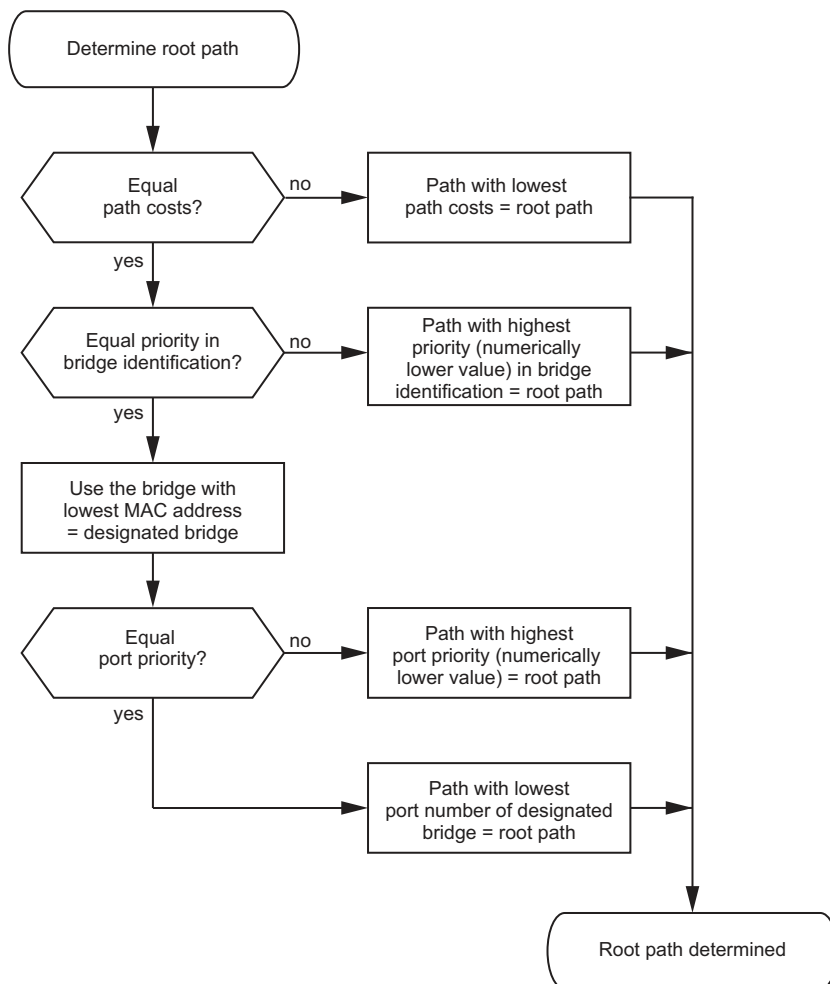




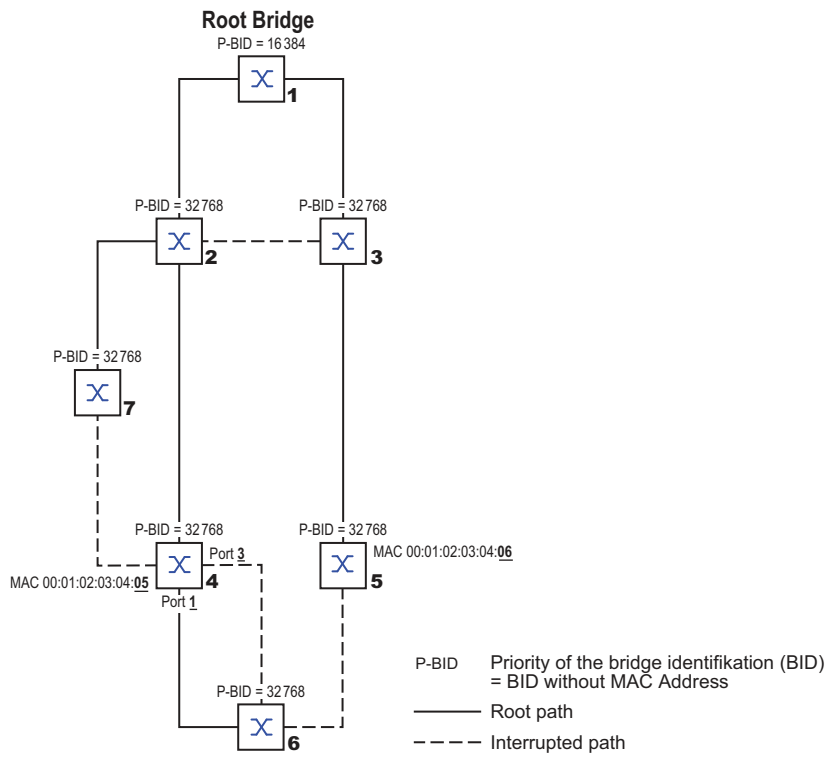


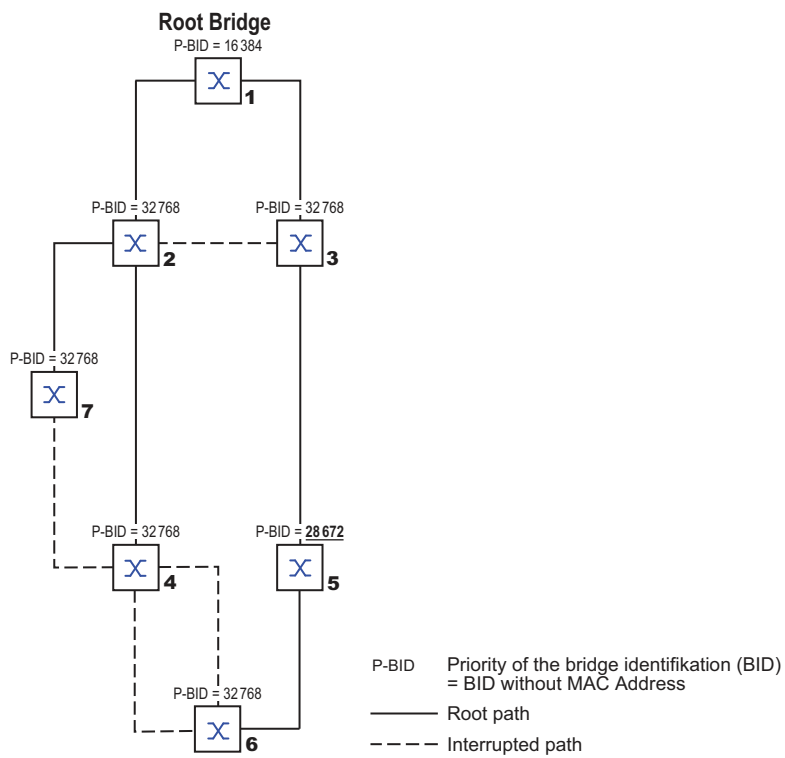
### Root-Bridge

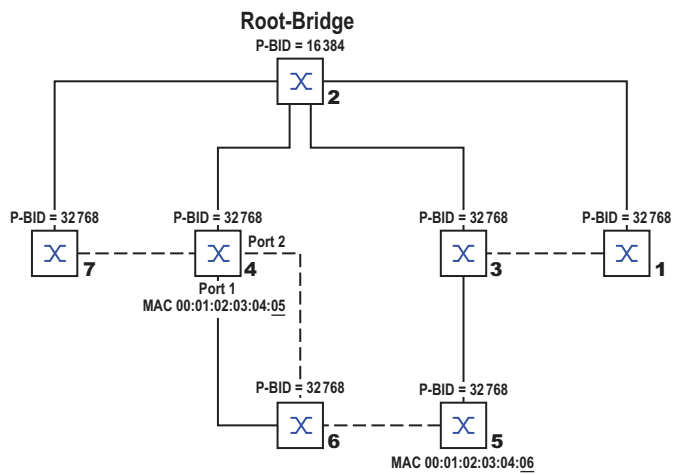










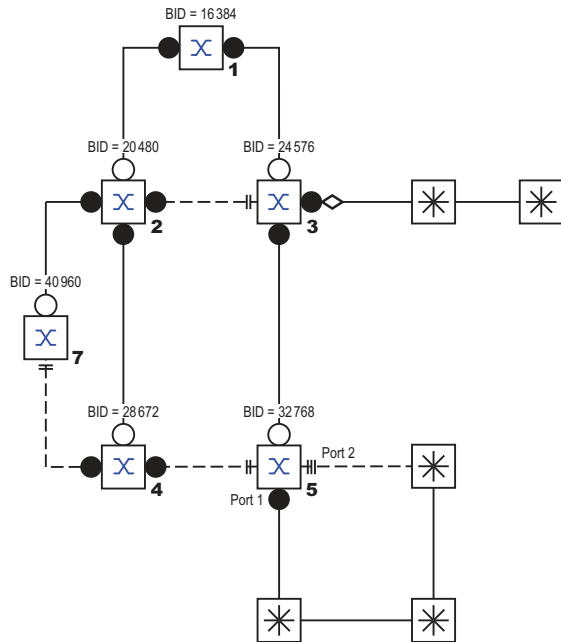


P-BID Priority of the bridge identification (BID)  
= BID without MAC Address

—— Root path

---- Interrupted path





- P-BID Priority of the bridge identification (BID)  
= BID without MAC Address
- Root path
- - - Interrupted path
- Root port
- Designated port
- || Alternate port
- ||| Backup port
- ◇ Edge port

---

---

---

---

---

---

---

---

---

---

---

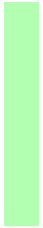
---

---

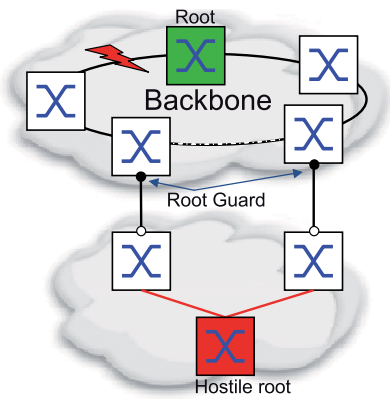
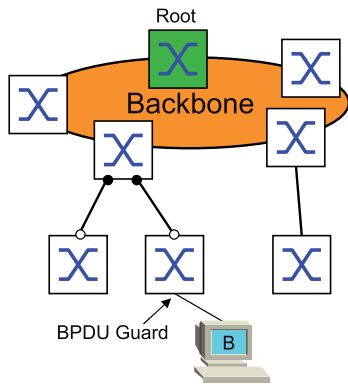


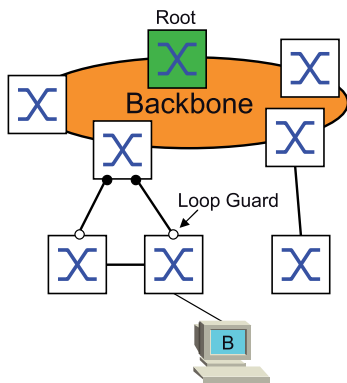
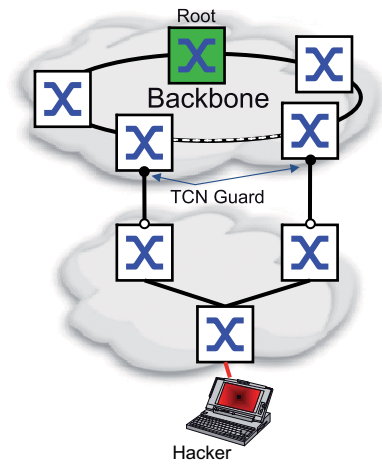
---

---



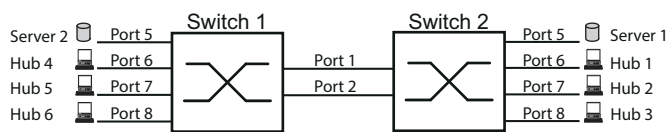














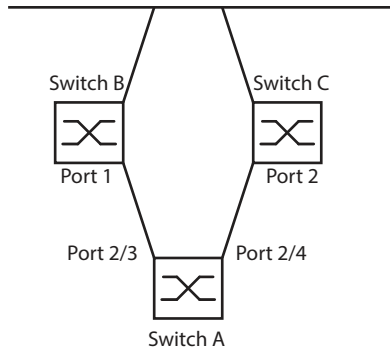
B+



---

---

---



+



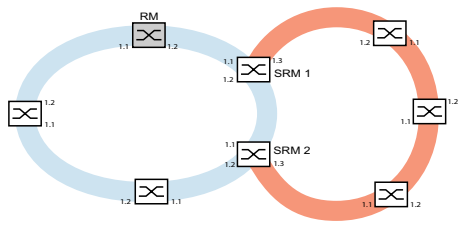


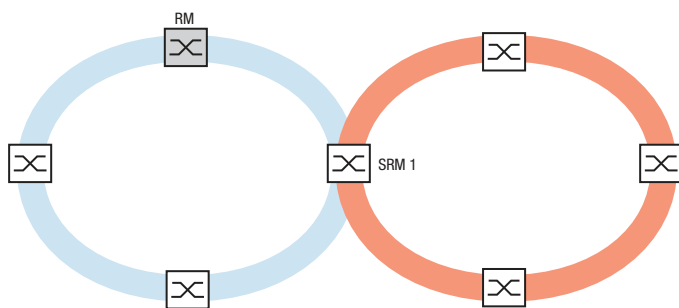
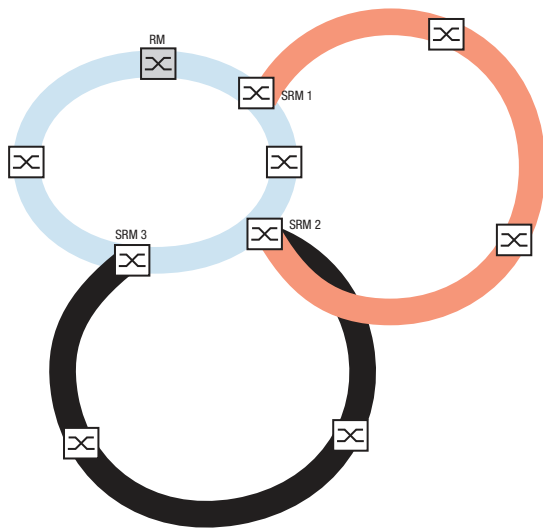
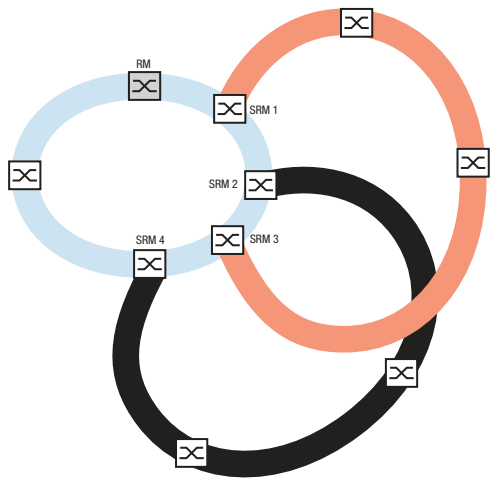


---

---

---



---

---

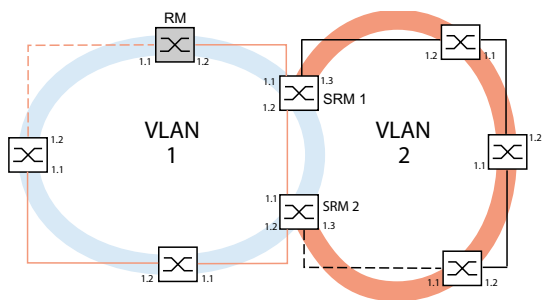
---

---

---

---

---





---

---

---



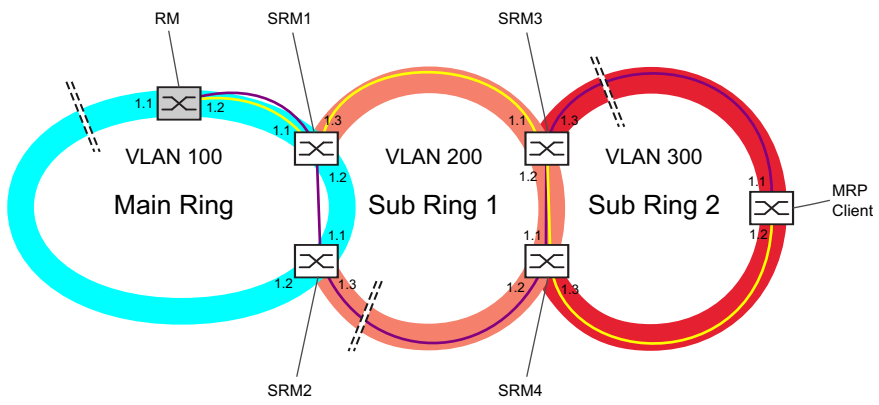
⌘+



✓









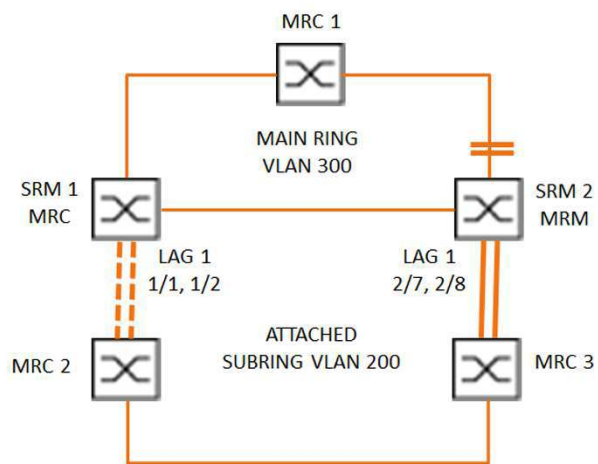


+

✓

✓

✓



---

---

---

---

---

---

---

---

1

2

3









---

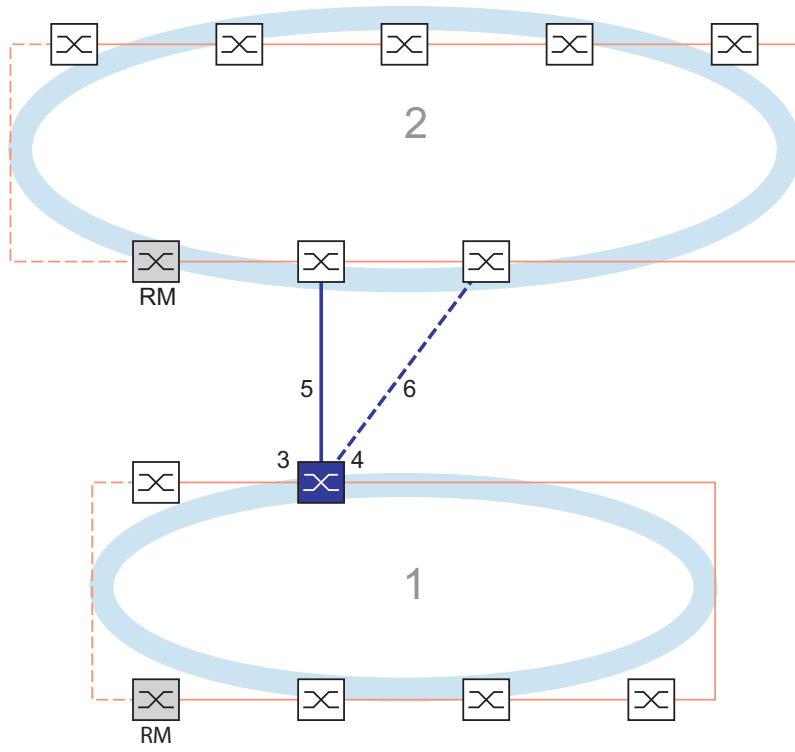
---

---

---

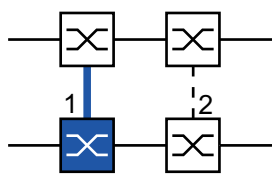
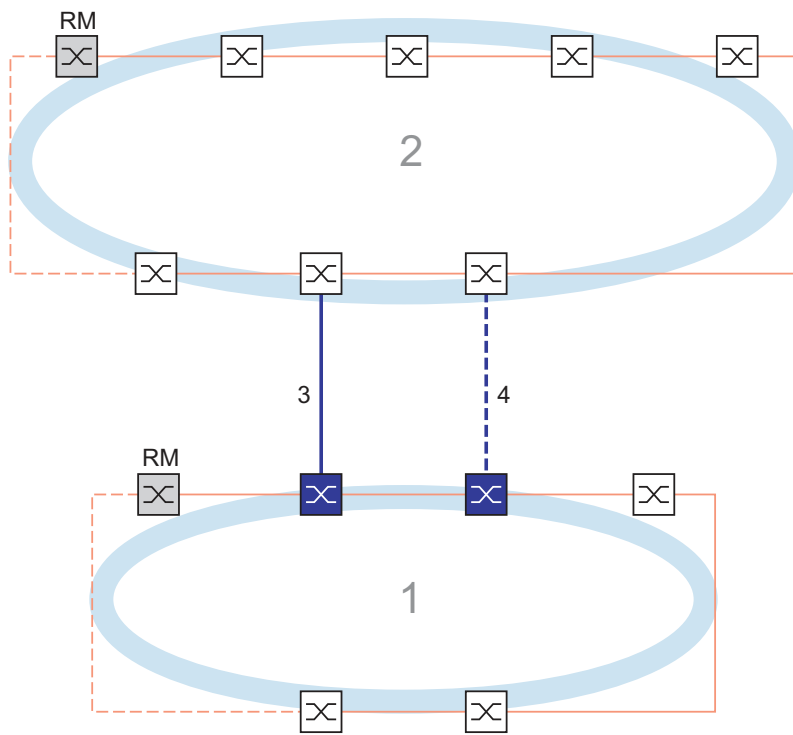
---

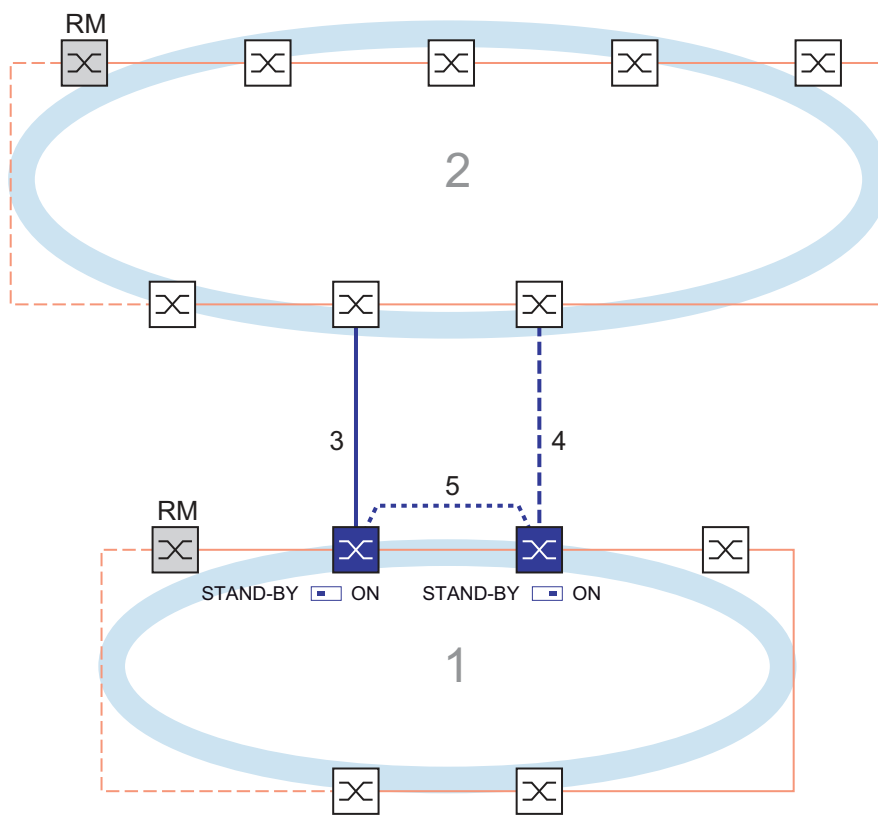
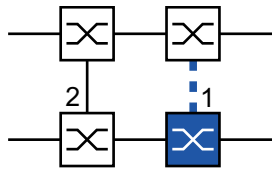
---

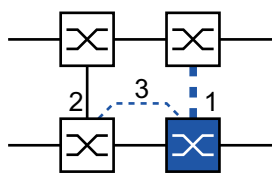
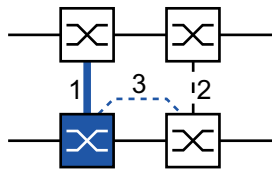


---

---







---

---

---

---

---

---

---

---

---

---



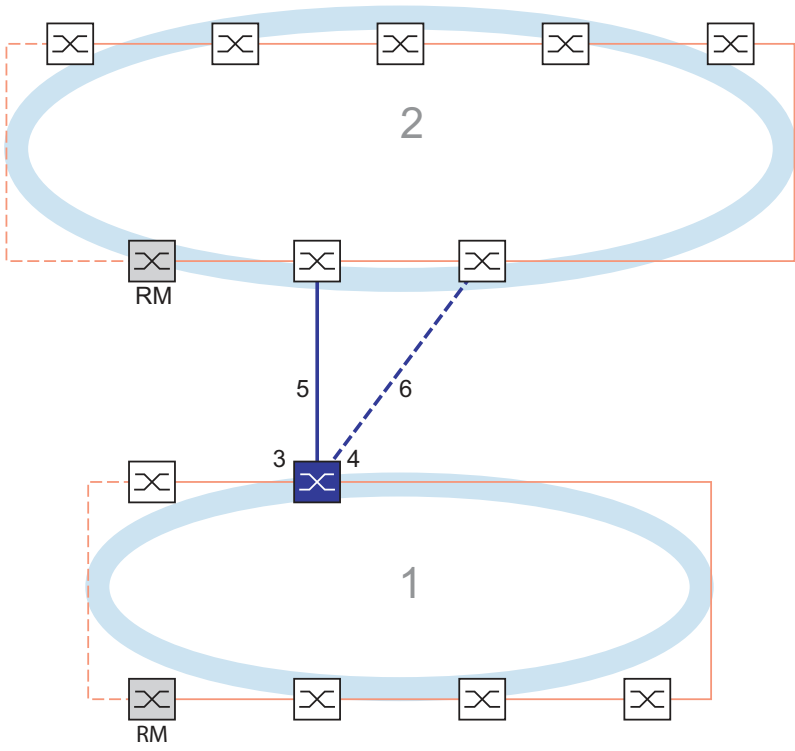
---

---

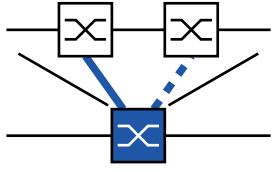
---

---

---







---

---

✓



---

---

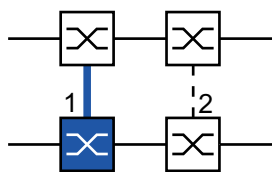
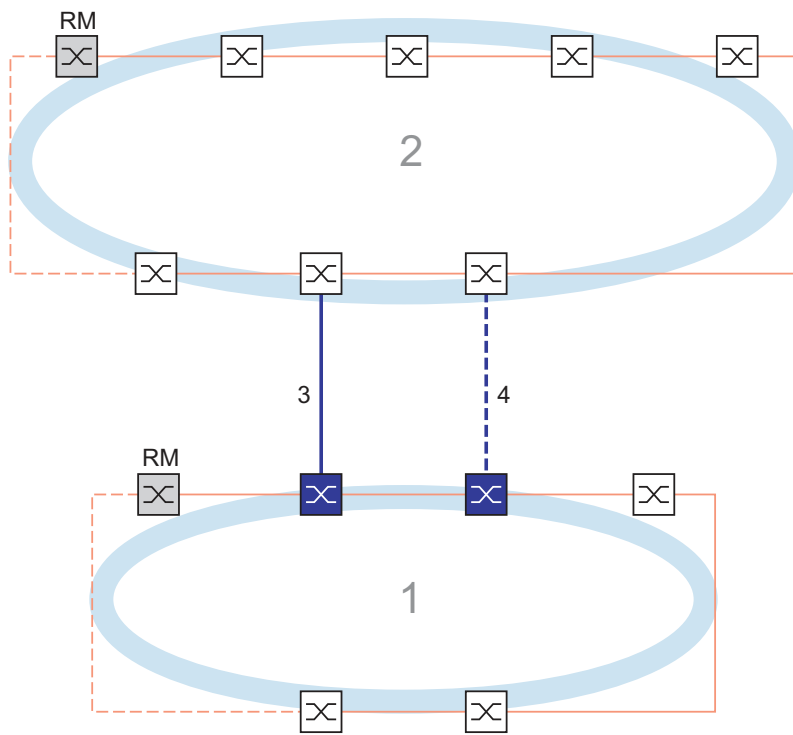
✓



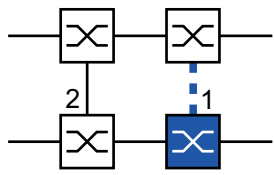
---

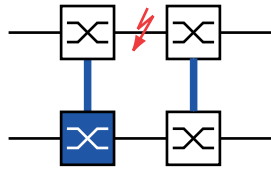
---

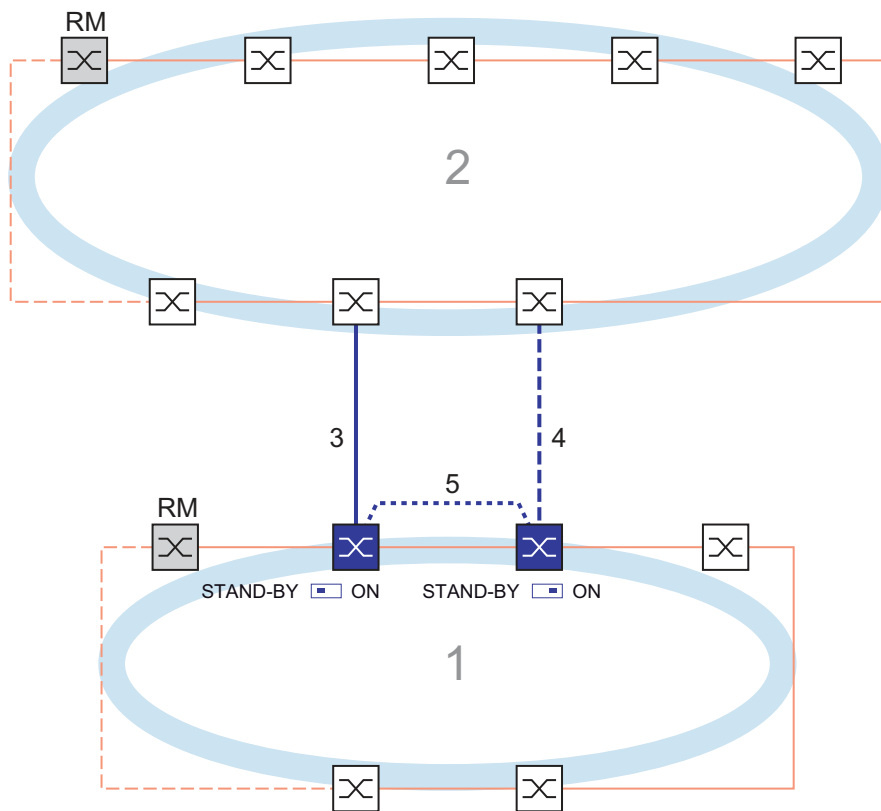


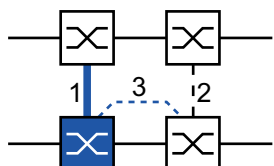




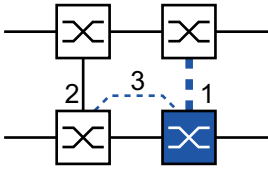




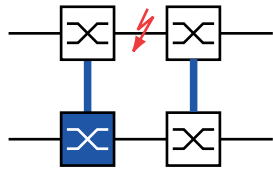


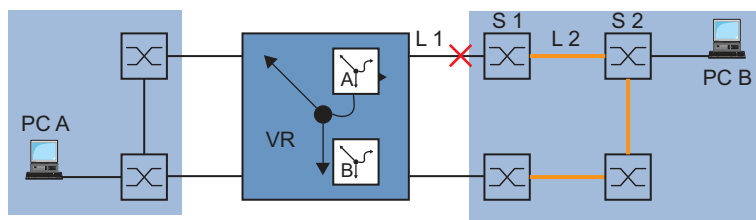








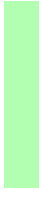




---













---





A series of 20 horizontal black lines, evenly spaced, providing a template for writing or drawing.



⌘ +



---

---

---

---

---

---

---

---

---

---

---

---

---













---

---

---

---

---

---

---

















---

---

---

---

---

---

---

---

---

---



---

---

---

---

---

---

---





A series of horizontal lines for writing, organized into four groups of four lines each, with a larger gap between the second and third groups.





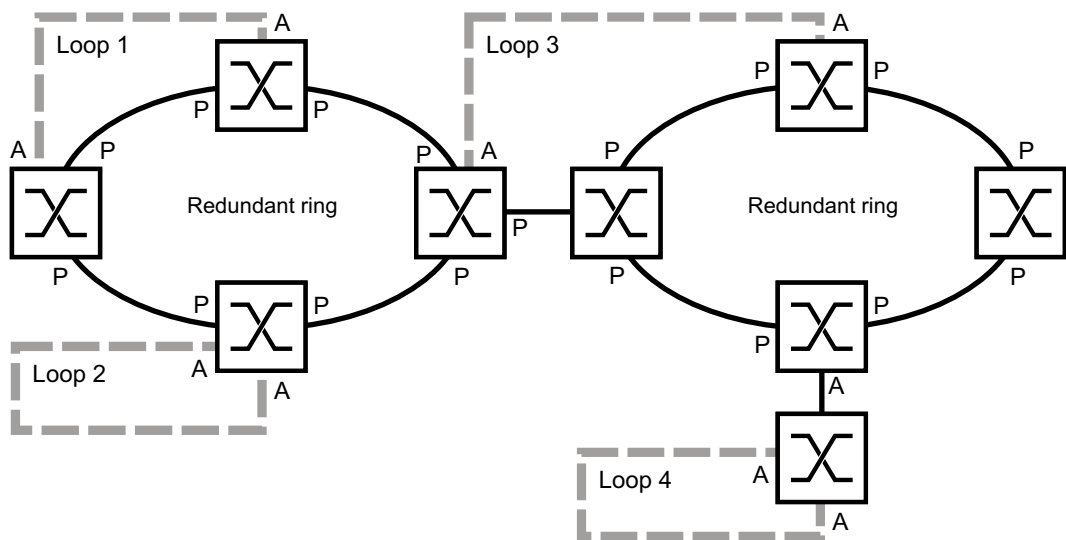


















---

---

---

---

---

---

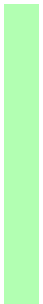
---

---

---

---

---







⊞  
+



⊞  
+









---

---

---



⌘+





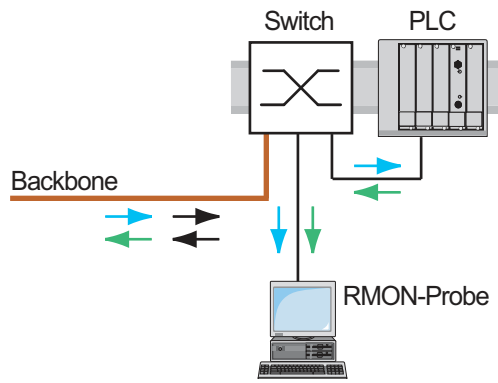




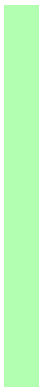




---













---





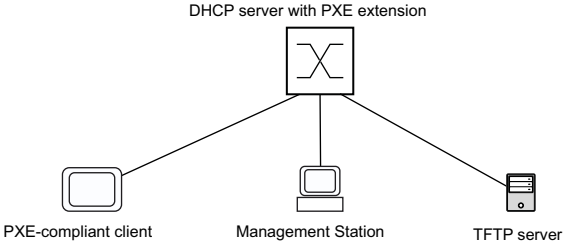
⌘ +





⌘+





---

---

---

---

---

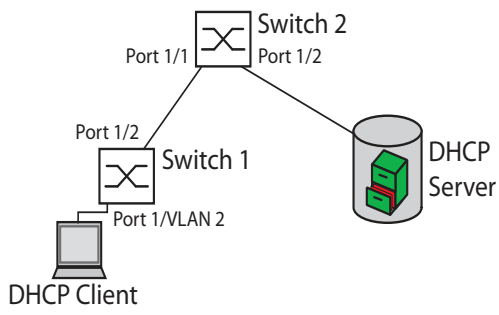
---

---

---

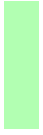














+

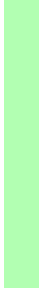




B+







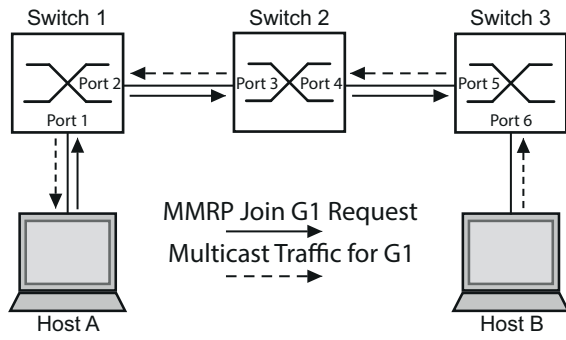
---

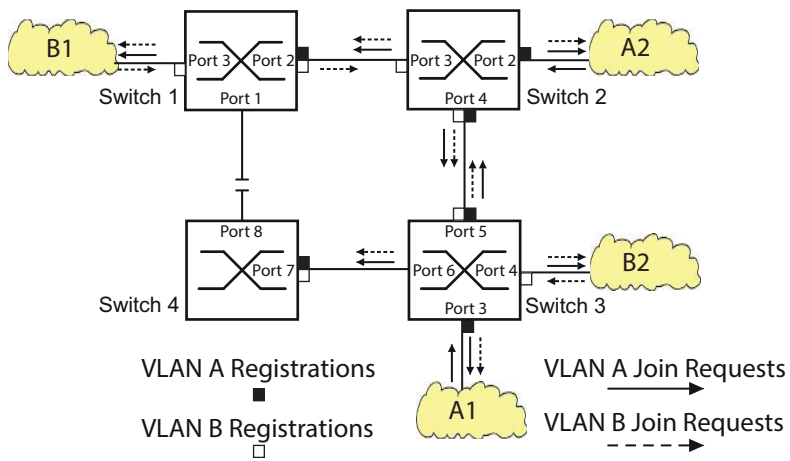
---

---

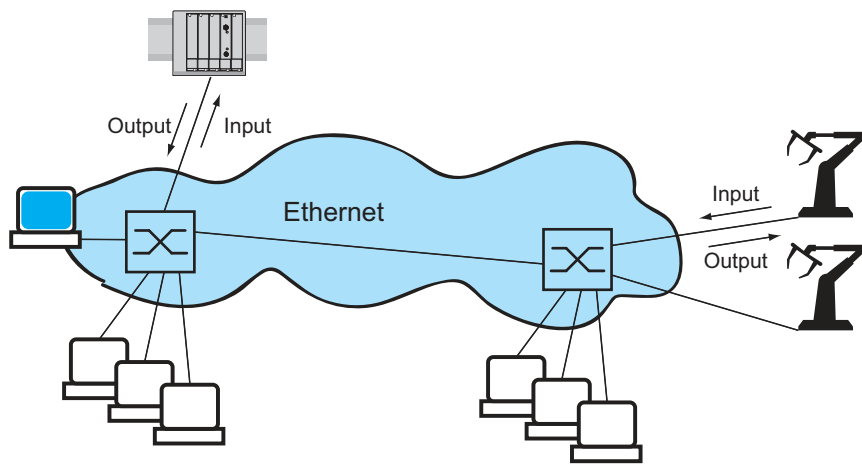


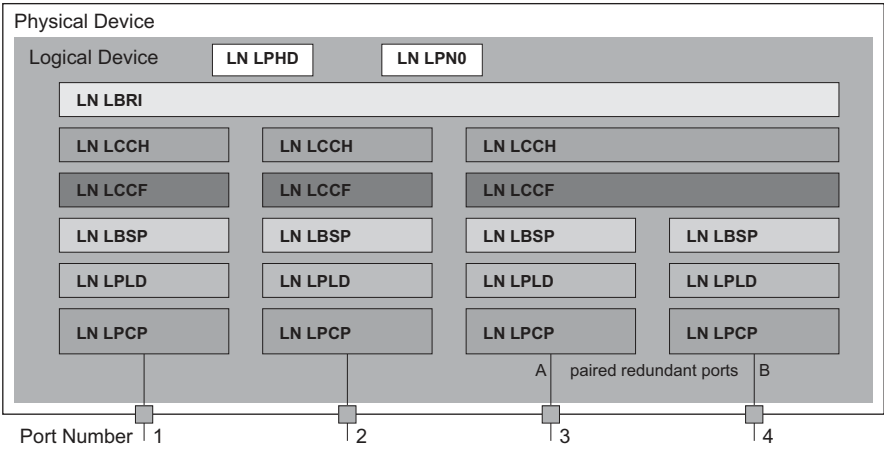













---



---



---



---



---



---

---

---

---

---

---

---

---

---






---

---

---

---

---

---

---

---

---

---

---

---

---

---

---

---

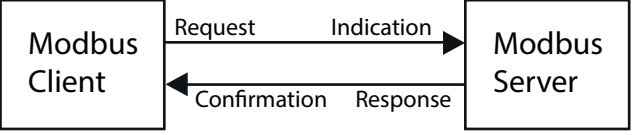
---

---

---

---









A series of horizontal lines for writing, organized into three distinct sections. The first section contains 18 lines, the second section contains 10 lines, and the third section contains 12 lines. All lines are black and evenly spaced.





---




田+

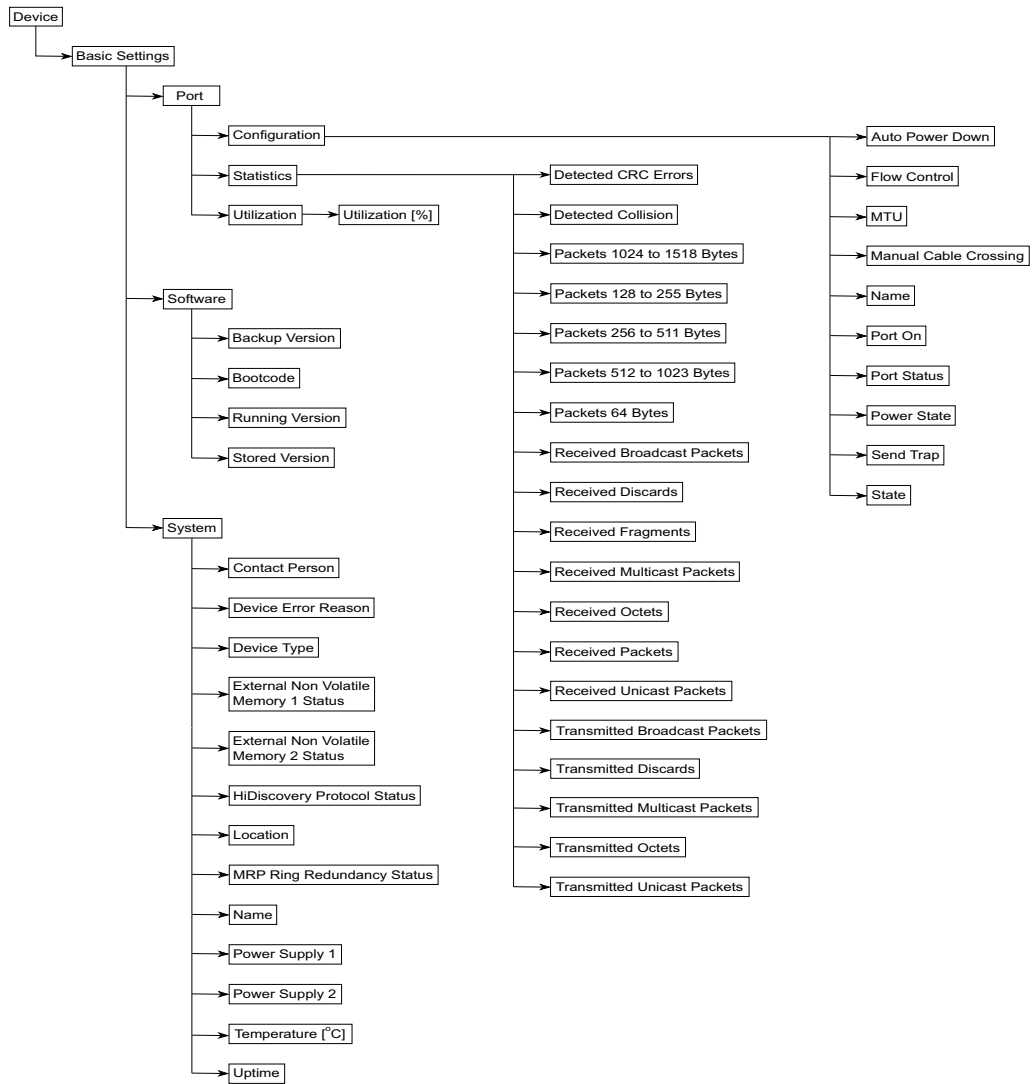
✓

✓









---

---

---

---

---

---

---

---

---

---

---

---

---

---

---

---

---

---

---

---

---

---

---

---

---

---

---

---

---

---

---

---

---

---

---

---

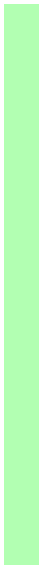
---

---

---

---







⌘+





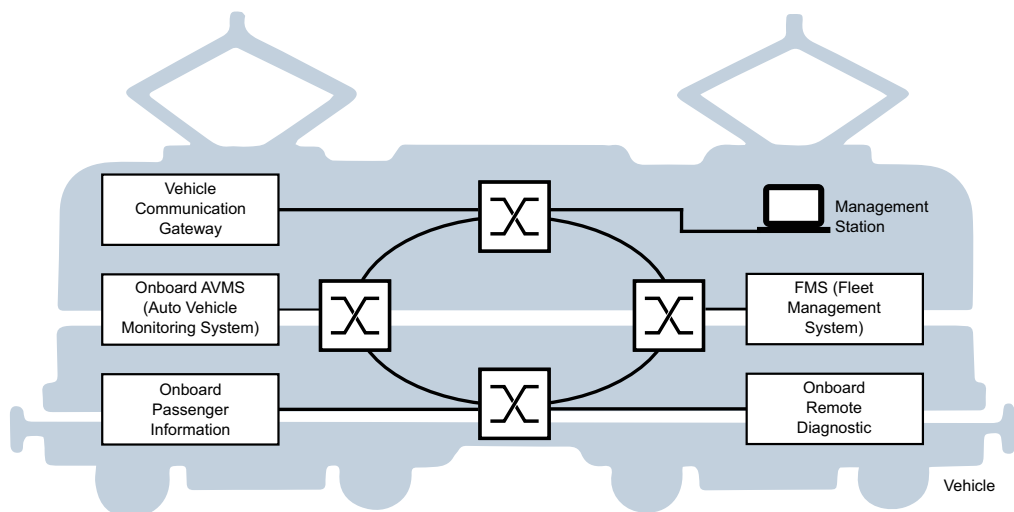
0x

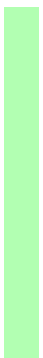
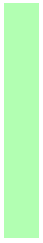




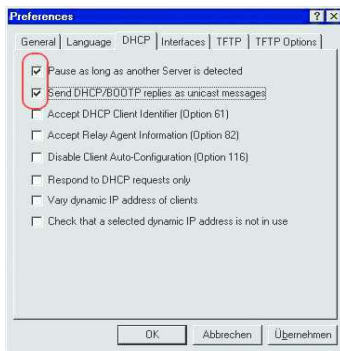


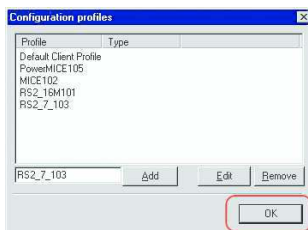
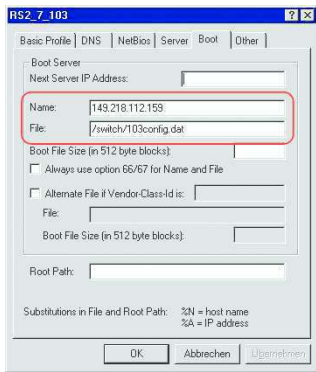
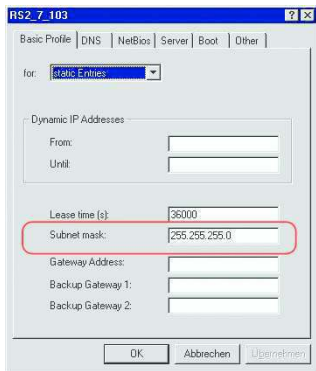
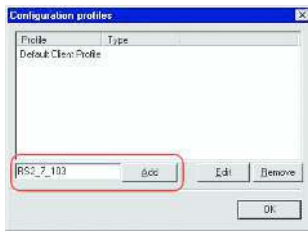


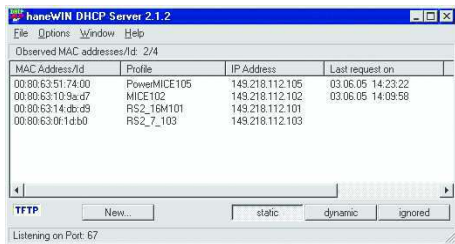
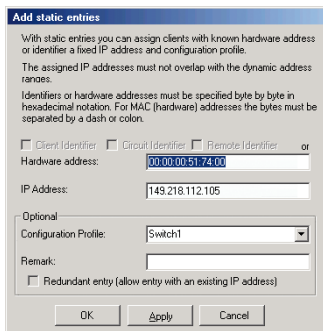
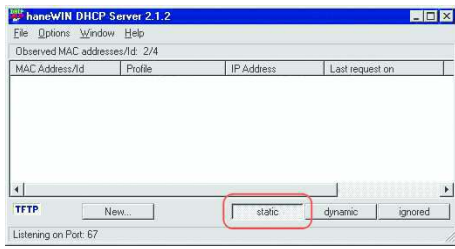


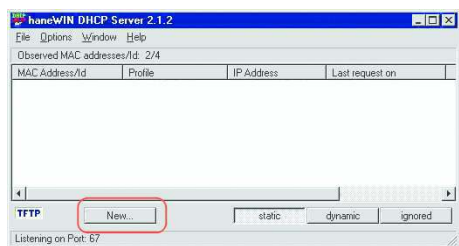
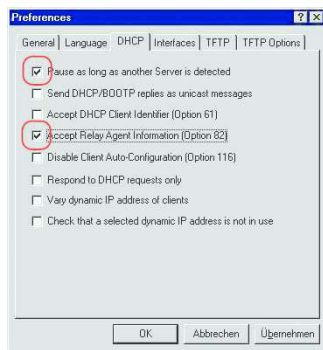












**Add static entries**

With static entries you can assign clients with known hardware address or identifier a fixed IP address and configuration profile.

The assigned IP addresses must not overlap with the dynamic address ranges.

Identifiers or hardware addresses must be specified byte by byte in hexadecimal notation. For MAC (hardware) addresses the bytes must be separated by a dash or colon.

Client Identifier  Circuit Identifier  Remote Identifier or

Hardware address:

IP Address:

Optional

Configuration Profile:

Remark:

Redundant entry (allow entry with an existing IP address)

OK Apply Cancel

**Add static entries**

With static entries you can assign clients with known hardware address or identifier a fixed IP address and configuration profile.

The assigned IP addresses must not overlap with the dynamic address ranges.

Identifiers or hardware addresses must be specified byte by byte in hexadecimal notation. For MAC (hardware) addresses the bytes must be separated by a dash or colon.

Client Identifier  Circuit Identifier  Remote Identifier or

Hardware address:

IP Address:

Optional

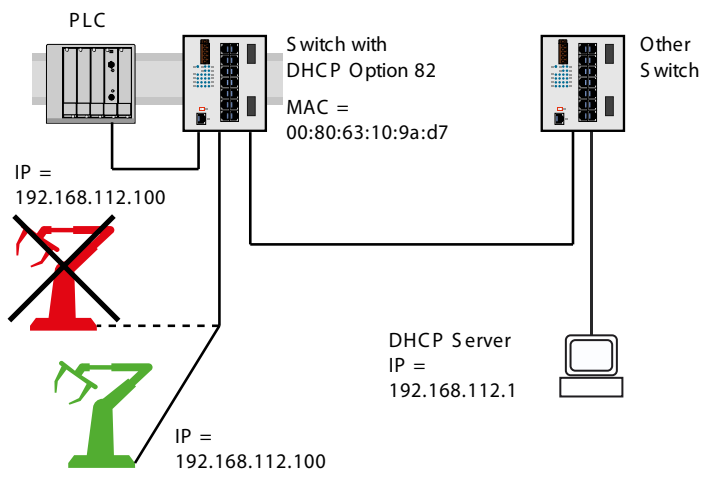
Configuration Profile:

Remark:

Redundant entry (allow entry with an existing IP address)

OK Apply Cancel



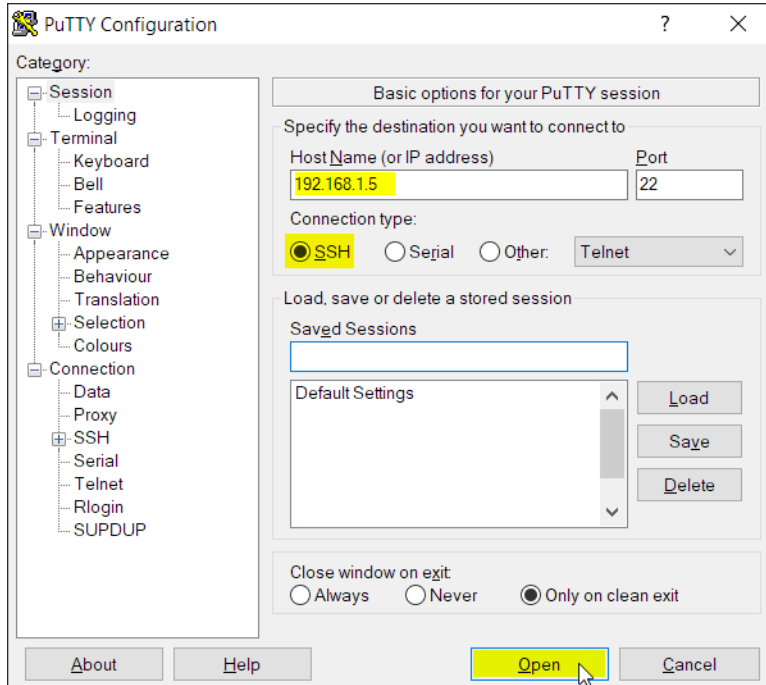


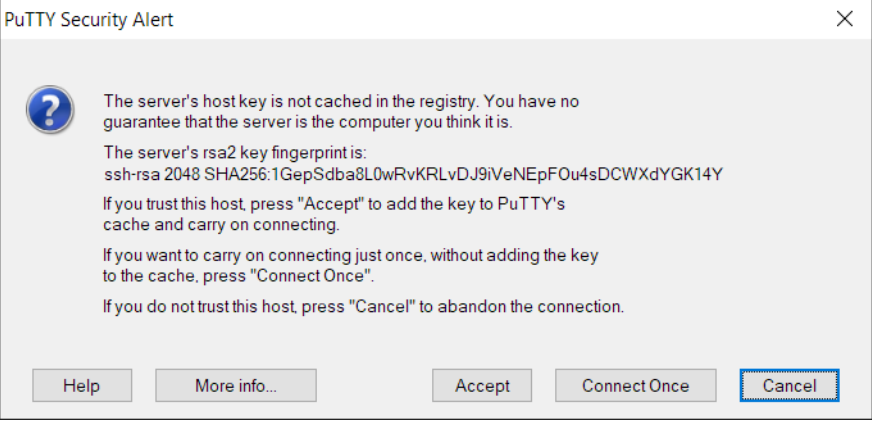
---

---

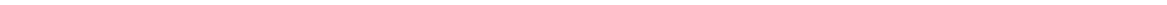
---









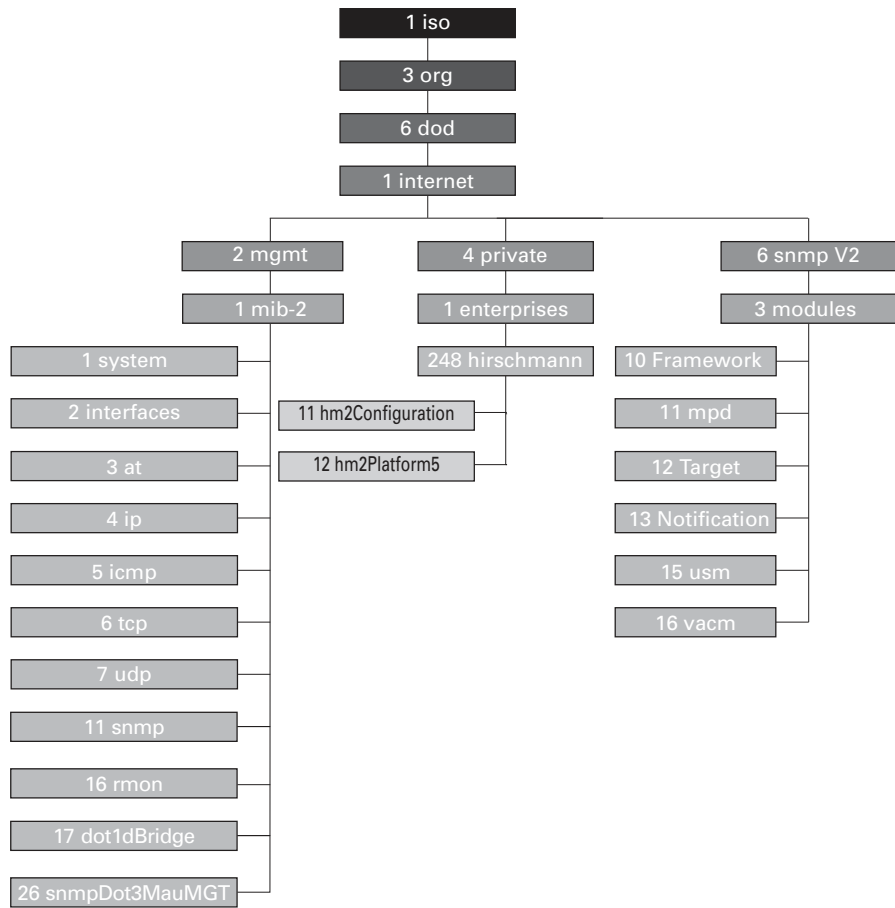


---











A series of horizontal lines for writing, consisting of 28 evenly spaced black lines.



---

---

---

---

---

---

---

---

---

---

---

---

---

---

---

---

---

---

---







---

---

---

---

---

---

---

---

---

---

---

---

---

---

---

---

---

---

---





A series of 25 horizontal black lines, evenly spaced, providing a template for writing or drawing.

---

---

---

---

---

---









---



---



---





A series of 20 horizontal black lines, evenly spaced, intended for writing or drawing.







**HIRSCHMANN**