

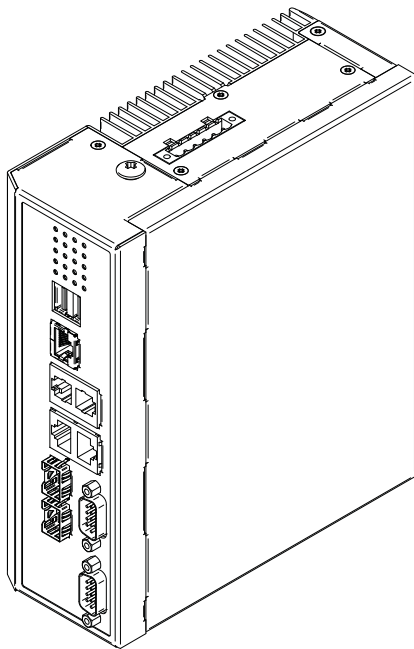


HIRSCHMANN

A **BELDEN** BRAND

User Manual

Installation Industrial Edge Gateway OpEdge-8D



The naming of copyrighted trademarks in this manual, even when not specially indicated, should not be taken to mean that these names may be considered as free in the sense of the trademark and trade name protection law and hence that they may be freely used by anyone.

© 2025 Hirschmann Automation and Control GmbH

Manuals and software are protected by copyright. All rights reserved. The copying, reproduction, translation, or conversion into any electronic medium or machine-readable form is not permitted, either in whole or in part. An exception is the preparation of a backup copy of the software for your own use.

The performance features described here are binding only if they have been expressly agreed when the contract was made. This document was produced by Hirschmann Automation and Control GmbH according to the best of the company's knowledge. Hirschmann reserves the right to change the contents of this document without prior notice. Hirschmann can give no guarantee in respect of the correctness or accuracy of the information in this document.

Hirschmann can accept no responsibility for damages resulting from the use of the network components or the associated operating software. In addition, we refer to the conditions of use specified in the license contract.

You can get the latest version of this manual on the Internet at:
<https://www.doc.hirschmann.com>

Hirschmann Automation and Control GmbH
Stuttgarter Str. 45-51
72654 Neckartenzlingen
Germany

Contents

Important information	5
Safety instructions	7
About this manual	14
Key	15
1 Description	16
1.1 General device description	16
1.2 Device views	17
1.2.1 Front view	17
1.2.2 Right side view	18
1.2.3 Left side view	19
1.3 Power supply	19
1.4 Ethernet ports	19
1.4.1 10/100/1000 Mbit/s twisted pair port	20
1.4.2 1000 Mbit/s F/O port	20
1.4.3 Pin assignments	20
1.5 Display elements	21
1.5.1 Device status	21
1.5.2 Port status	21
1.6 Management interfaces	22
1.6.1 DB9 port	22
1.6.2 USB interface	22
1.7 Input/output interfaces	23
1.7.1 Signal contact	23
1.8 Reset button	23
1.8.1 Reboot	23
1.8.2 Factory reset	23
2 Installation	24
2.1 Checking the package contents	24
2.2 Installing and grounding the device	24
2.2.1 Installing the device onto the DIN rail	24

2.2.2	Grounding the device	25
2.3	Installing an SFP transceiver (optional)	26
2.4	Connecting the terminal blocks	26
2.4.1	Connecting the power supply and signal lines	27
2.5	Operating the device	28
2.6	Connecting data cables	28
2.6.1	Twisted Pair ports	28
2.6.2	1000 Mbit/s F/O port (optional)	29
2.7	Filling out the inscription label	29
2.8	Making basic settings	29
2.9	First Login (Password)	29
3	Monitoring the ambient air temperature	31
4	Maintenance and service	32
5	Disassembly	33
5.1	Removing the device	33
5.2	Removing an SFP transceiver (optional)	34
6	Technical data	35
6.1	General technical data	35
6.2	Signal contact	35
6.3	Power consumption/power output	36
6.4	Dimension drawings	36
6.5	EMC and immunity	37
6.6	Network range	38
7	Scope of delivery	41
8	Accessories	42
9	Underlying technical standards	43
A	Further support	44

Important information

Note: Read these instructions carefully, and familiarize yourself with the device before trying to install, operate, or maintain it. The following notes may appear throughout this documentation or on the device. These notes warn of potential hazards or call attention to information that clarifies or simplifies a procedure.

■ Symbol explanation



This is a general warning symbol. This symbol alerts you to potential personal injury hazards. Observe all safety notes that follow this symbol to avoid possible injury or death.



If this symbol is displayed in addition to a safety instruction of the type “Danger” or “Warning”, it means that there is a danger of electric shock and failure to observe the instructions will inevitably result in injury.



This symbol indicates the danger of hot surfaces on the device. In connection with safety instructions, non-observance of the instructions will inevitably result in injuries.



DANGER

DANGER draws attention to an immediately dangerous situation, which will **inevitably** result in a serious or fatal accident if not observed.



WARNING

WARNING indicates a potentially hazardous situation which, if not avoided, **could** result in death or serious injury.



CAUTION

CAUTION indicates a possible danger which, if not avoided, **may** result in minor injuries.

NOTICE

NOTICE provides information about procedures that do not involve the risk of injury.

Safety instructions

WARNING

UNCONTROLLED MACHINE ACTIONS

To avoid uncontrolled machine actions caused by data loss, configure all the data transmission devices individually.

Before you start any machine which is controlled via data transmission, be sure to complete the configuration of all data transmission devices.

Failure to follow these instructions can result in death, serious injury, or equipment damage.

■ **General safety instructions**

You operate this device with electricity. Improper usage of the device entails the risk of physical injury or significant property damage. The proper and safe operation of this device depends on proper handling during transportation, proper storage and installation, and careful operation and maintenance procedures.

- Before connecting any cable, read this document, and the safety instructions and warnings.
- Operate the device with undamaged components exclusively.
- The device is free of any service components. In case of a damaged or malfunctioning the device, turn off the supply voltage and return the device to Hirschmann for inspection.

■ **Certified usage**

- Use the product only for the application cases described in the Hirschmann product information, including this manual.
- Operate the product only according to the technical specifications. [See “Technical data” on page 35.](#)
- Connect to the product only components suitable for the requirements of the specific application case.

■ **Installation site requirements**

- Install the device in a fire enclosure according to EN 62368-1.
- Install this device only in a switch cabinet or in an operating site with restricted access, to which maintenance staff have exclusive access.

■ Strain relief

Note: If the strain relief is insufficient, there is a potential risk of torsion, contact problems and creeping interruptions.

- Relieve the connection points of cables and lines from mechanical stress.
- Design strain reliefs in such a way that they help prevent any mechanical damage to cables, wires, or conductors caused by external influences or their own weight.
- To help prevent damage to device connections, connectors and cables, follow the instructions for proper installation in accordance with DIN VDE 0100-520:2013-06, sections 522.6, 522.7 and 522.13.

■ Device casing

Only technicians authorized by the manufacturer are permitted to open the casing.

- Never insert pointed objects (narrow screwdrivers, wires, etc.) into the device or into the connection terminals for electric conductors. Do not touch the connection terminals.
- Keep the ventilation slits free to ensure good air circulation.
- Install the device in the vertical position.
- At ambient temperatures $> +60\text{ °C}$ ($+140\text{ °F}$):
The surfaces of the device housing may become hot. Avoid touching the device while it is operating.

■ Qualification requirements for personnel

- Only allow qualified personnel to work on the device.
Qualified personnel have the following characteristics:
 - ▶ Qualified personnel are properly trained. Training as well as practical knowledge and experience make up their qualifications. This is the prerequisite for grounding and labeling circuits, devices, and systems in accordance with current standards in safety technology.
 - ▶ Qualified personnel are aware of the dangers that exist in their work.
 - ▶ Qualified personnel are familiar with appropriate measures against these hazards in order to reduce the risk for themselves and others.
 - ▶ Qualified personnel receive training on a regular basis.

■ National and international safety regulations

- Verify that the electrical installation meets local or nationally applicable safety regulations.

■ **Grounding the device**

Grounding the device is by means of a separate ground connection on the device.

- Ground the device before connecting any other cables.
- Disconnect the grounding only after disconnecting all other cables.

■ **Shielding ground**

The overall shield of a connected shielded twisted pair cable is connected to the ground connector on the front panel as a conductor.

- Beware of possible short circuits when connecting a cable section with conductive shielding braiding.

■ **Requirements for connecting the electrical wires**

- Before connecting the electrical wires, **always** verify that the requirements listed are complied with.

All of the following requirements are complied with:

- ▶ The electrical wires are voltage-free.
- ▶ The cables used are permitted for the temperature range of the application case.
- ▶ The voltage connected complies with the requirements for a safety extra-low voltage (SELV) according to IEC 60950-1 or ES1 according to IEC/EN 62368-1.

Table 1: General requirements for connecting electrical wires

■ **Requirements for connecting the signal contact**

- Before connecting the signal contact, **always** verify that the requirements listed are complied with.

All of the following requirements are complied with:

- ▶ The voltage connected complies with the requirements for a safety extra-low voltage (SELV) according to IEC 60950-1 or ES1 according to IEC/EN 62368-1.
- ▶ The connected voltage is limited by a current limitation device or a fuse. Observe the electrical threshold values for the signal contact.
[See "Technical data" on page 35.](#)
- ▶ The cross-section of the ground conductor is the same size as or bigger than the cross-section of the power supply cables.

Table 2: Requirements for connecting the signal contact

■ **Requirements for connecting the power supply**

- Before connecting the power supply, **always** verify that the requirements listed are complied with.

All of the following requirements are complied with:

- ▶ The supply voltage corresponds to the voltage specified on the type plate of the device.
 - ▶ The power supply complies with the requirements as per NEC Class 2.
 - ▶ The power supply conforms to overvoltage category I or II.
 - ▶ The power supply has an easily accessible disconnecting device (for example, a switch or a plug). This disconnecting device is clearly identified. So in the case of an emergency, it is clear which disconnecting device belongs to which power supply cable.
 - ▶ The cross-section of the ground conductor is the same size as or bigger than the cross-section of the power supply cables.
 - ▶ Relevant for North America:
The power cords are suitable for ambient air temperatures of at least +75 °C (+167 °F). The power cord wires are made of copper.
-

Table 3: Requirements for connecting the supply voltage

■ Supply voltage

The supply voltage is connected to the device casing through protective elements exclusively.

■ ATEX directive 2014/34/EU – specific regulations for safe operation

In Ex zone 2, only OpEdge-8D devices with a corresponding label may be operated. When operating the OpEdge-8D devices and modules in Ex zone 2, the following applies:



II 3 G

Ex ec nC IIC T4 Gc

Ta: -40 °F ... +158 °F (-40 °C ... +70 °C)

UL 24 ATEX 3192X

Temperature code: T4

DO NOT OPEN THE DEVICE WHEN IT IS ELECTRICALLY CHARGED.

THE USB CONNECTOR MUST NOT BE USED WHEN THE DEVICE IS OPERATED IN EXPLOSIVE HAZARDOUS LOCATIONS.

⚠ Special conditions for safe use

- Install the device according to EN 60664-1 in an environment not exceeding degree of pollution 2.
- Install the basic devices and media modules in a suitable enclosure providing a degree of protection of at least IP54 according to EN 60079-0, taking into account the ambient conditions under which the equipment will be used.
- When end users provide optical SFP transceivers, these must be limited to Laser Class I.

■ **CE marking**

The labeled devices comply with the regulations contained in the following European directive(s):

- ▶ **2011/65/EU and 2015/863/EU (RoHS)**
Directive of the European Parliament and of the Council on the restriction of the use of certain hazardous substances in electrical and electronic equipment.
- ▶ **2014/30/EU (EMC)**
Directive of the European Parliament and of the Council on the harmonisation of the laws of the Member States relating to electromagnetic compatibility.
- ▶ **2014/34/EU (ATEX)**
Directive of the European Parliament and of the Council on the harmonisation of the laws of the Member States relating to equipment and protective systems intended for use in potentially explosive atmospheres.

In accordance with the above-named EU directive(s), the EU conformity declaration will be at the disposal of the relevant authorities at the following address:

Hirschmann Automation and Control GmbH
Stuttgarter Str. 45-51
72654 Neckartenzlingen
Germany

You find the EU conformity declaration as PDF file for downloading on the Internet at: <https://www.doc.hirschmann.com/certificates.html>

The product can be used in the industrial sector.

- ▶ Interference immunity: EN 61000-6-2
- ▶ Emitted interference: EN 55032
- ▶ Reliability: IEC/EN 62368-1

You find more information on technical standards here:

See [“Technical data” on page 35](#).

The assembly guidelines provided in these instructions must be strictly adhered to in order to observe the EMC threshold values.

Warning! This is a class A device. This device can cause interference in living areas, and in this case the operator may be required to take appropriate measures.

■ **LED or laser components**

LED or LASER components according to IEC 60825-1 (2014):
CLASS 1 LASER PRODUCT
CLASS 1 LED PRODUCT

■ **FCC note**

Supplier's Declaration of Conformity 47 CFR § 2.1077 Compliance Information

OpEdge-8D

U.S. Contact Information

Belden – St. Louis
1 N. Brentwood Blvd. 15th Floor
St. Louis, Missouri 63105, United States
Phone: 314.854.8000

This device complies with part 15 of the FCC Rules. Operation is subject to the following two conditions: (1) This device may not cause harmful interference, and (2) this device must accept any interference received, including interference that may cause undesired operation.

Note: This equipment has been tested and found to comply with the limits for a Class A digital device, pursuant to part 15 of the FCC Rules. These limits are designed to provide reasonable protection against harmful interference when the equipment is operated in a commercial environment. This equipment generates, uses, and can radiate radio frequency energy and, if not installed and used in accordance with the instruction manual, may cause harmful interference to radio communications. Operation of this equipment in a residential area is likely to cause harmful interference in which case the user will be required to correct the interference at his own expense.

■ **Recycling note**



The symbol of a crossed-out wheeled bin shown on the device indicates that the device **MUST NOT** be disposed of with household waste at the end of its service life.

After its service life, the used device must be disposed of properly as electronic waste in accordance with the locally applicable disposal regulations.

End users are responsible for deleting personal data from the used device prior to disposal.

End users are obliged to separate used batteries and accumulators that are not enclosed by the used device from the used device in a non-destructive manner before disposing of the used device. The used batteries and accumulators must be handed in for separate collection.

This does not apply if the used device is handed in for reuse.

About this manual

The “Installation” user manual contains a device description, safety instructions, a description of the display, and the other information that you need to install the device.

The manual is available for download on the Internet: [https://
www.doc.hirschmann.com](https://www.doc.hirschmann.com)

Key

The symbols used in this manual have the following meanings:

▶	Listing
□	Work step
■	Subheading

1 Description

1.1 General device description

The device is designed for the specific requirements of industrial automation. It meets the relevant industry standards, provides very high operational reliability, even under extreme conditions, and also long-term reliability and flexibility.

Key Features:

- ▶ A fanless industrial grade Edge appliance
- ▶ Flexible LAN: 5 × GE with 1 pair bypass Gen 3 and 2 × SFP
- ▶ Supports wall mount kit and DIN rail kit

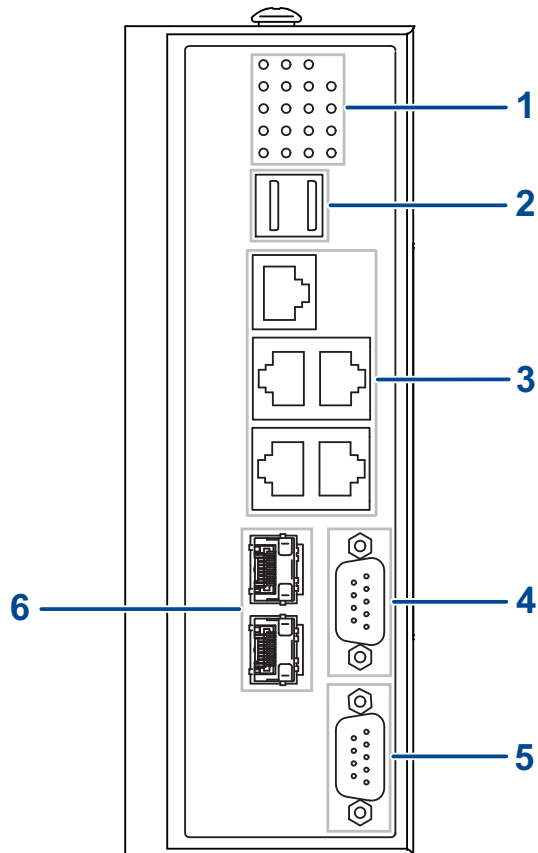
The device allows you to set up switched and routed industrial Ethernet networks according to IEEE 802.3.

The device provides you with a large range of functions, which the manuals for the operating software inform you about. You will find these manuals in the form of PDF files for downloading on the Internet on the Hirschmann product pages (<https://www.doc.hirschmann.com>).

The Hirschmann network components help you ensure continuous communication across all levels of the company.

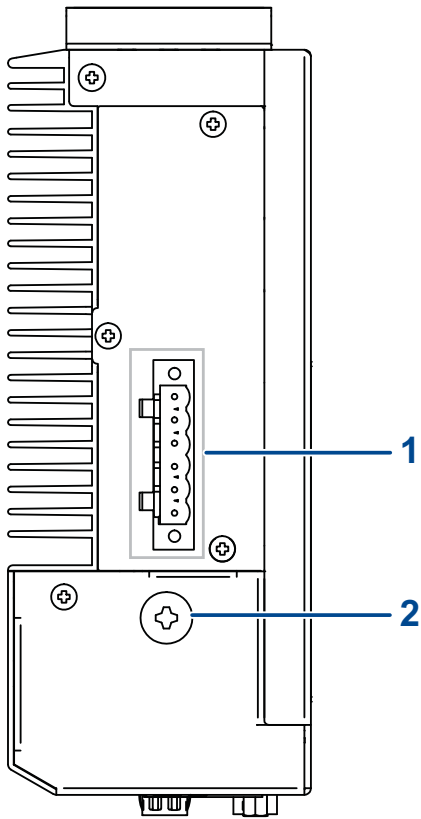
1.2 Device views

1.2.1 Front view



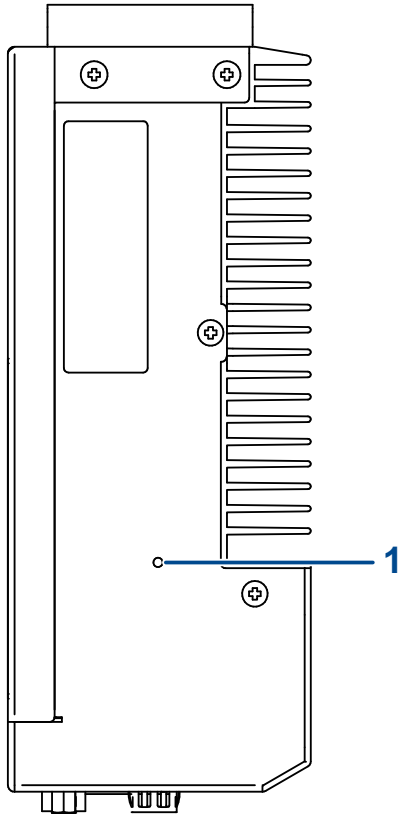
1	LED display element
2	2 × USB interface
3	5 × Gigabit Ethernet ports (RJ45) for 10/100/1000 Mbit/s Twisted pair connections
4	COM1 port (DB9 port) This port has no functionality in the current release.
5	COM2 port (DB9 port)
6	2 × SFP ports for 1000 Mbit/s fiber optic connections

1.2.2 Right side view



-
- | | |
|---|---------------------------------|
| 1 | 6-pin terminal block connection |
| 2 | Grounding screw |
-

1.2.3 Left side view



1 Reset button

1.3 Power supply

A 6-pin, screwable terminal block is available for the redundant supply to the device.

For further information: [See “Connecting the power supply and signal lines” on page 27.](#)

1.4 Ethernet ports

You can connect end devices and other segments to the device ports using twisted pair cables or optical fibers (F/O).

You find information on pin assignments for making patch cables here: [See “Pin assignments” on page 20.](#)

1.4.1 10/100/1000 Mbit/s twisted pair port

This port is an RJ45 socket.

The 10/100/1000 Mbit/s twisted pair port offers you the ability to connect network components according to the IEEE 802.3 10BASE-T/100BASE-TX/1000BASE-TX standard.

This port supports:

- ▶ Autonegotiation
- ▶ Autopolarity
- ▶ Autocrossing (if autonegotiation is activated)
- ▶ 1000 Mbit/s half-duplex mode, 1000 Mbit/s full duplex mode
- ▶ 100 Mbit/s half-duplex mode, 100 Mbit/s full duplex mode
- ▶ 10 Mbit/s half-duplex mode, 10 Mbit/s full duplex mode

Delivery state: Autonegotiation activated

The socket housing is electrically connected with the front panel.

1.4.2 1000 Mbit/s F/O port

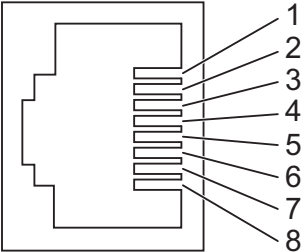
This port is an SFP slot.

The 1000 Mbit/s F/O port offers you the ability to connect network components according to the IEEE 802.3 1000BASE-SX/1000BASE-LX standard.

This port supports:

- ▶ Full duplex mode

1.4.3 Pin assignments

RJ45	Pin	10/100 Mbit/s	1000 Mbit/s
	MDI mode		
	1	TX+	BI_DA+
	2	TX-	BI_DA-
	3	RX+	BI_DB+
	4	—	BI_DC+
	5	—	BI_DC-
	6	RX-	BI_DB-
	7	—	BI_DD+
8	—	BI_DD-	
MDI-X mode			
1	RX+	BI_DB+	
2	RX-	BI_DB-	
3	TX+	BI_DA+	
4	—	BI_DD+	
5	—	BI_DD-	
6	TX-	BI_DA-	
7	—	BI_DC+	
8	—	BI_DC-	

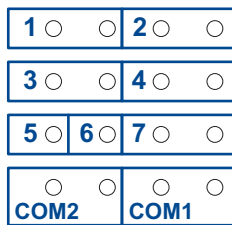
1.5 Display elements

1.5.1 Device status

HDD STA POWER

LED	Display	Color	Activity	Meaning
POWER	Supply voltage	—	None	Supply voltage is too low.
		Green	Lights up	The supply voltage is on.
STA	Device status	—	None	Device is powered off.
		Green	Lights up	Device is not reporting any device status alarms.
		Red	Lights up	Device is reporting a device status alarm.
HDD	Hard disk activity	—	None	No data access activity
		Yellow	Flashing	Data access activity

1.5.2 Port status



LED	Display	Color	Activity	Meaning
1 ... 4 7	Link status (LED on the left)	—	None	No link is established.
		Yellow	Lights up Flashing	Link has been established. The connection is active.
	Speed (LED on the right)	—	None	Operating as a 10-Mbit/s connection
		Green	Lights up	Operating as a Gigabit connection
5 ... 6	Link status	Yellow	Lights up	Operating as a 100-Mbit/s connection (1000 Mbit/s)
		—	None	No link is established.
		Yellow	Lights up Flashing	Link has been established. The connection is active.
COM2	TX activity (LED on the left)	—	None	No data activity
		Yellow	Lights up	Device is transmitting data
COM2	RX activity (LED on the right)	—	None	No data activity
		Yellow	Lights up	Device is receiving data
COM1	—	—	—	This port has no functionality in the current release.

1.6 Management interfaces

1.6.1 DB9 port

The device has a DB9 port for console access. The port is labeled "COM2". The "COM1" port has no functionality in the current release. For information about the position on the device: [See "Front view" on page 17.](#)

A serial interface is provided on the DB9 port for the local connection of an external management station (VT100 terminal or PC with corresponding terminal emulation). This enables you to set up a connection to the Command Line Interface CLI.

VT 100 terminal settings

Speed	115200 Baud
Data	8 bit
Stop bit	1 bit
Flow control	none
Parity	none

The socket housing is electrically connected to the front panel of the device. The DB9 port is electrically insulated from the supply voltage.

1.6.2 USB interface

For information about the position on the device: [See "Front view" on page 17.](#)

The USB interface has the following properties:

- ▶ Supports the USB master mode
- ▶ Supports USB 3.0 (data rate max. 480 MBit/s)
- ▶ Connector type A
- ▶ Supplies current of max. 500 mA
- ▶ Voltage not potential-separated
- ▶ Supported file system: FAT32

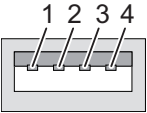
Figure	Pin	Operation
	1	VCC (VBus)
	2	- Data
	3	+ Data
	4	Ground (GND)

Table 4: Pin assignment of the USB interface

Note: Please note that you can currently only use 1 of the 2 USB interfaces. Which one of the USB interfaces you decide to use does not make a difference.

1.7 Input/output interfaces

1.7.1 Signal contact

The signal contact is a potential-free relay contact. The device allows you to perform remote diagnosis via the signal contact. In the process, the device signals events such as a line interruption. When an event occurs, the device opens the relay contact and interrupts the closed circuit. The management setting specifies which events switch a contact.

1.8 Reset button

The device has a reset button.

1.8.1 Reboot

- To reboot the device, press the reset button for **less than** 10 seconds.

For detailed information on rebooting the device via software, refer to the “User Manual Configuration”.

The manual is available for download on the Internet: <https://www.doc.hirschmann.com>

1.8.2 Factory reset

- To perform a factory reset of the device, press the reset button for **more than** 10 seconds and **up to** 15 seconds.

For detailed information on performing a factory reset of the device via software, refer to the “User Manual Configuration”.

The manual is available for download on the Internet: <https://www.doc.hirschmann.com>

2 Installation

The device has been developed for practical application in a harsh industrial environment.

On delivery, the device is ready for operation.

Perform the following work steps to install and configure the device:

- ▶ [Checking the package contents](#)
- ▶ [Installing and grounding the device](#)
- ▶ [Installing an SFP transceiver \(optional\)](#)
- ▶ [Connecting the terminal blocks](#)
- ▶ [Operating the device](#)
- ▶ [Connecting data cables](#)
- ▶ [Filling out the inscription label](#)

2.1 Checking the package contents

- Check whether the package includes all items named in the section [“Scope of delivery” on page 41](#).
- Check the individual parts for transport damage.

2.2 Installing and grounding the device



FIRE HAZARD

Install the device in a fire enclosure according to IEC/EN 62368-1 or IEC 60950-1 if you are connecting it to a power supply >100 W (PS3) or >NEC Class 2.

Failure to follow these instructions can result in death, serious injury, or equipment damage.

2.2.1 Installing the device onto the DIN rail

Note: Verify that there is at least 10 cm (4 in) of space above and below the device.

Note: The overall shield of a connected shielded twisted pair cable is connected to the ground connector on the front panel as a conductor.

To mount the device onto a horizontally mounted 35 mm DIN rail according to DIN EN 60715, proceed as follows:

- Slide the upper snap-in guide of the device into the DIN rail.
- Press the media module downwards onto the clip-in bar.
- Snap in the device.

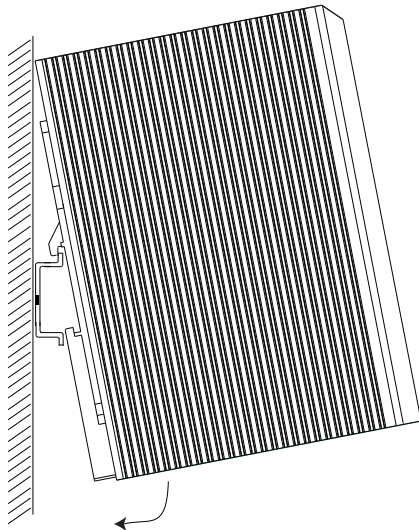


Figure 1: Mounting on the DIN rail

2.2.2 Grounding the device

WARNING

ELECTRIC SHOCK

Ground the device before connecting any other cables.

Failure to follow these instructions can result in death, serious injury, or equipment damage.

The device has a functional ground connection.

The casing is grounded via the separate ground screw on the bottom right of the front panel.

- Ground the device via the ground screw.

2.3 Installing an SFP transceiver (optional)

Prerequisites:

Exclusively use Hirschmann SFP transceivers.

See [“Accessories” on page 42.](#)

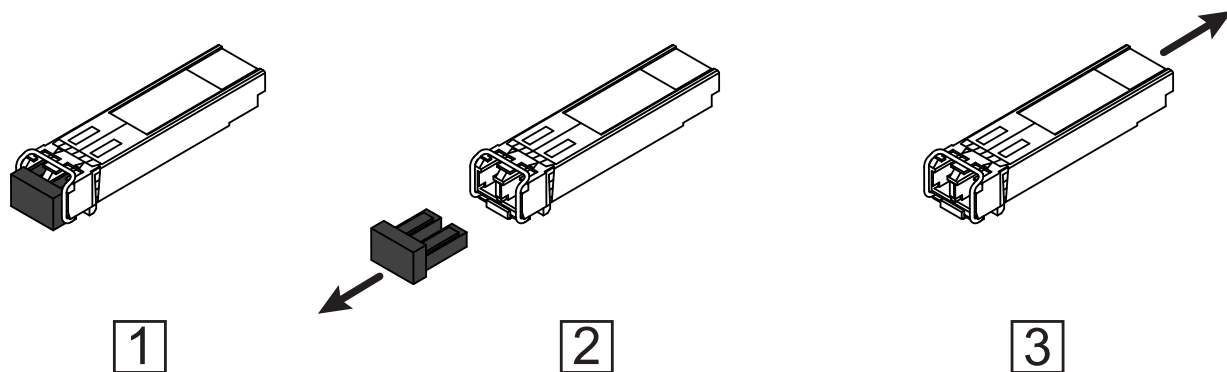


Figure 2: Installing SFP transceivers: Installation sequence

Proceed as follows:

- Take the SFP transceiver out of the transport packaging (1).
- Remove the protection cap from the SFP transceiver (2).
- Push the SFP transceiver with the lock closed into the slot until it latches in (3).

2.4 Connecting the terminal blocks

WARNING

ELECTRIC SHOCK

Never insert pointed objects (narrow screwdrivers, wires, etc.) into the device or into the connection terminals for electric conductors. Do not touch the connection terminals.

Before connecting the electrical wires, **always** verify that the requirements listed are complied with.

See [“Requirements for connecting the electrical wires” on page 9.](#)

Failure to follow these instructions can result in death, serious injury, or equipment damage.

The supply voltage is connected to the device casing through protective elements exclusively.

2.4.1 Connecting the power supply and signal lines

	1	Power supply connection 1
	1a	0 V DC
	1b	24 V DC
	2	Connection for the signal contact
	3	Power supply connection 2
	3a	0 V DC
3b	24 V DC	

Table 5: Pin assignment: 6 pin, screwable terminal block (on the top), connection to the device (at the bottom)

■ Supply voltage

The supply voltage can be connected redundantly. Both inputs are uncoupled. There is no distributed load. With redundant supply, the power supply unit with the higher output voltage supplies the device on its own. The supply voltage is electrically isolated from the housing.

With a non-redundant supply of the supply voltage, the device reports the loss of a supply voltage. You can prevent this message by applying the supply voltage via both inputs, or by changing the configuration in the Management.

Type of the voltages that can be connected	Specification of the supply voltage	Pin assignment on the device
DC voltage	Rated voltage range 24 V DC ... 48 V DC	24 V DC Plus terminal of the supply voltage
		0 V DC Minus terminal of the supply voltage

Table 6: Type and specification of the supply voltage, pin assignment on the device

- Remove the power connector from the device.
- Connect the wires according to the pin assignment on the device with the clamps.
- Fasten the wires connected by tightening the terminal screws.

■ Signal contact (optional)

- Connect the wires according to the pin assignment on the device with the clamps.
- Fasten the wires connected by tightening the terminal screws.

2.5 Operating the device



WARNING

ELECTRIC SHOCK

Before connecting the electrical wires, **always** verify that the requirements listed are complied with.

See [“Requirements for connecting the electrical wires” on page 9.](#)

Failure to follow these instructions can result in death, serious injury, or equipment damage.

Note: Relevant for North America:

The torque for tightening the supply voltage terminal block and the signal contact terminal block on the device is 0.79 Nm (7 lb-in).

The tightening torque for the COM port on the device is 0.79 Nm (7 lb-in).

- Use screws to secure the connectors to the device.
- Enable the supply voltage.

2.6 Connecting data cables

2.6.1 Twisted Pair ports

Note the following general recommendations for data cable connections in environments with high electrical interference levels:

- Keep the length of the data cables as short as possible.
- Use optical data cables for the data transmission between the buildings.
- When using copper cables, provide a sufficient separation between the power supply cables and the data cables. Ideally, install the cables in separate cable channels.
- Verify that power supply cables and data cables do not run parallel over longer distances. To reduce inductive coupling, verify that the power supply cables and data cables cross at a 90 ° angle.
- Use shielded data cables for gigabit transmission via copper cables, for example SF/UTP cables according to ISO/IEC 11801. To meet EN 50121-4 and marine application requirements, use shielded data cables at all transmission rates.
- Connect the data cables according to your requirements.
See [“10/100/1000 Mbit/s twisted pair port” on page 20.](#)

2.6.2 1000 Mbit/s F/O port (optional)

Verify that you connect LH ports only with LH ports, SX ports only with SX ports, and LX ports only with LX ports.

Connect the data cables according to your requirements.

See “Ethernet ports” on page 19.

2.7 Filling out the inscription label

The information field for the IP address helps you identify your device.

2.8 Making basic settings

Note: 2 or more devices configured with the same IP address can cause unpredictable operation of your network.

Install and maintain a process that assigns a unique IP address to every device in the network.

The IP parameters must be entered when the device is installed for the first time. The device provides the following options for configuring IP addresses:

- ▶ Graphical User Interface
- ▶ Command Line Interface via COM2 port

To configure basic settings, connect to the OpEdge webpage. The default IP address of Ethernet port 1 is 192.168.0.250. The login URL is <https://192.168.0.250:8080>

Further information on the basic settings of the device can be found in the software user documentation.

■ Default settings

- ▶ DB9 port data rate: 115200 Baud
- ▶ Ethernet ports: link status is not evaluated (signal contact)
- ▶ Optical ports: Full duplex
- ▶ TP ports: Autonegotiation

2.9 First Login (Password)

To help prevent undesired access to the device, it is imperative that you change the default password during initial setup.

Perform the following work steps:

- Open the Graphical User Interface the first time you log on to the device.
- Type in the username "admin".
- Type in the default password "password".
- Click the "Login" button.
- Follow the first-time login wizard to set up the device and change the default password.

Note: If you lost your password, then reset the device to factory settings using the Command Line Interface via the COM2 port. You will find detailed information on factory reset in the software user documentation. You will find the software user documentation as PDF file on the Internet at <https://www.doc.hirschmann.com>

3 Monitoring the ambient air temperature

Operate the device below the specified maximum ambient air temperature exclusively.

See [“Technical data” on page 35](#).

The ambient air temperature is the temperature of the air at a distance of 2 in (5 cm) from the device. It depends on the installation conditions of the device, for example the distance from other devices or other objects, and the output of neighboring devices.

The temperature displayed in the GUI is the internal temperature of the device. It is up to +20 °C (+68 °F) higher than the ambient temperature. This depends on the configuration of your device.

4 Maintenance and service

- When designing this device, Hirschmann largely avoided using high-wear parts. The parts subject to wear and tear are dimensioned to last longer than the lifetime of the product when it is operated normally. Operate this device according to the specifications.
- Relays are subject to natural wear. This wear depends on the frequency of the switching operations. Check the resistance of the closed relay contacts and the switching function depending on the frequency of the switching operations.
- Depending on the degree of pollution in the operating environment, check at regular intervals that the ventilation slots in the device are not obstructed.

5 Disassembly

5.1 Removing the device

WARNING

ELECTRIC SHOCK

Disconnect the grounding only after disconnecting all other cables.

Failure to follow these instructions can result in death, serious injury, or equipment damage.

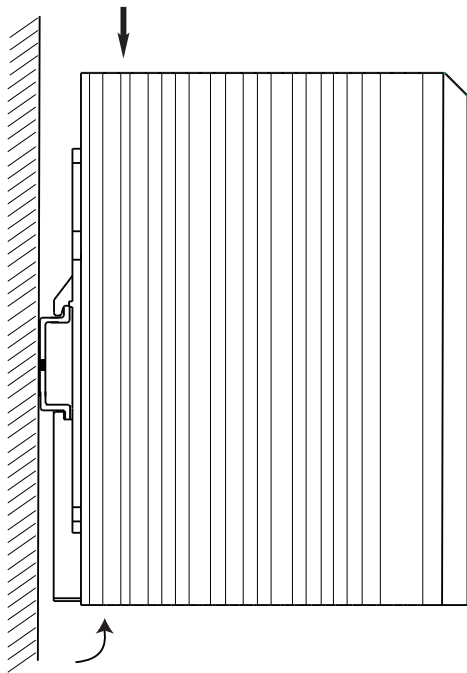


Figure 3: Removal from the DIN rail

- Disconnect the data cables.
- Disable the supply voltage.
- Disconnect the terminal blocks.
- Disconnect the grounding.
- To remove the device from the DIN rail, press the device downwards and pull it out from under the DIN rail.

5.2 Removing an SFP transceiver (optional)

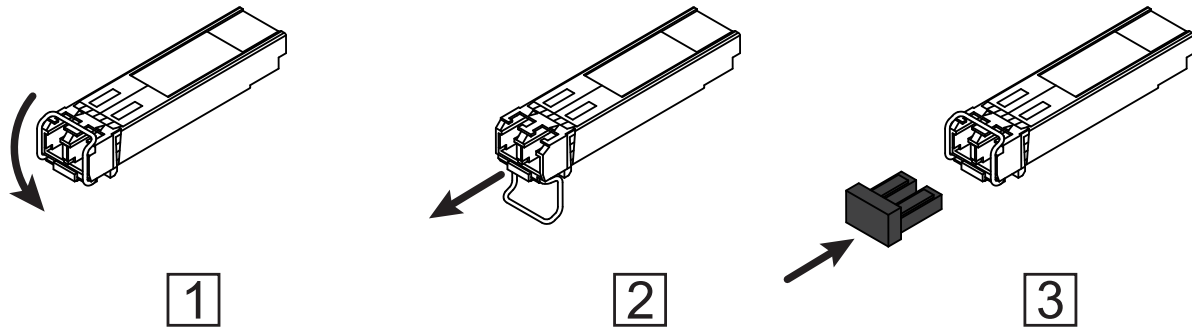


Figure 4: De-installing SFP transceivers: De-installation sequence

Proceed as follows:

- Open the locking mechanism of the SFP transceiver (1).
- Pull the SFP transceiver out of the slot via the open locking mechanism (2).
- Close the SFP transceiver with the protection cap (3).

6 Technical data

6.1 General technical data

General technical data	
Dimensions W × H × D	65 mm × 186 mm × 160 mm (2.56 in × 7.32 in × 6.29 in) See "Dimension drawings" on page 36.
Weight	1560 g (55.03 oz)
Power supply	<ul style="list-style-type: none"> ▶ 2 voltage inputs for redundant power supply ▶ Safety extra-low voltage (SELV), redundant inputs disconnected
	Rated voltage range 24 V DC ... 48 V DC
	Voltage range including maximum tolerances 20 V DC ... 54 V DC
	Connection type 6-pin terminal block
	Input terminal block 0.75 mm ² ... 0.2 mm ² (18 AWG ... 24 AWG) One individual conductor in a clamping point.
	Grounding conductor at least 0.75 mm ² (18 AWG)
Climatic conditions during operation	Ambient air temperature -40 °C ... +70 °C (-40 °F ... +158 °F)
	Relative humidity (non-condensing) 5 % ... 95 %
Climatic conditions during storage	Ambient air temperature -40 °C ... +85 °C (-40 °F ... +185 °F)
	Relative humidity (non-condensing) 5 % ... 95 %
Pollution degree	2
Degree of protection	IP40

6.2 Signal contact

Signal contact	
Connection type	6-pin terminal block
	Tightening torque 0.79 Nm (7 lb-in)
Nominal value	$I_{\max} = 0.5 \text{ A}$ at $U_{\max} = 24 \text{ V AC}$
	$I_{\max} = 0.5 \text{ A}$ at $U_{\max} = 48 \text{ V DC}$

6.3 Power consumption/power output

Device name	Maximum power consumption	Power output
OpEdge-8D	25 W	85 Btu (IT)/h

6.4 Dimension drawings

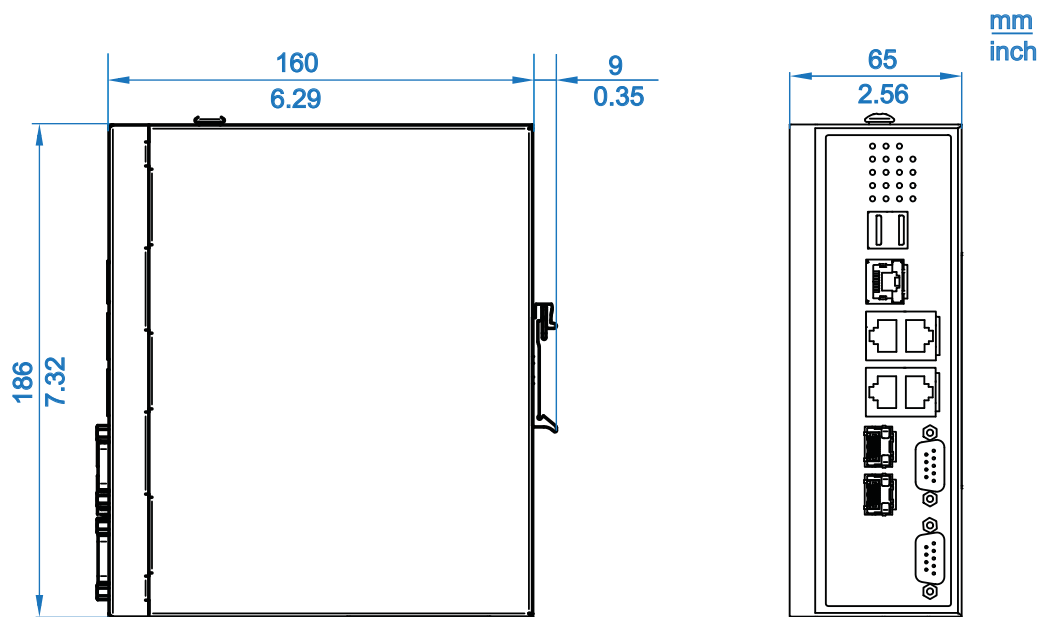


Figure 5: Dimensions of the OpEdge-8D device

6.5 EMC and immunity

EMC interference emission		Standard applications
Radiated emission		
EN 55032		Class A
FCC 47 CFR Part 15		Class A
EN 61000-6-4		Fulfilled
EMC interference immunity		
Electrostatic discharge		Standard applications
EN 61000-4-2	Contact discharge	± 4 kV
EN 61000-4-2	Air discharge	± 8 kV
Electromagnetic field		
EN 61000-4-3	80 MHz ... 1000 MHz	10 V/m
	1.4 GHz ... 6.0 GHz	3 V/m
Fast transients (burst) - power supply connection		
EN 61000-4-4		±2 kV
Fast transients (burst) - data line		
EN 61000-4-4		± 1 kV
Voltage surges - power supply connection		
EN 61000-4-5	line/ground	± 1 kV
EN 61000-4-5	line/line	± 0.5 kV
Voltage surges - data line		
EN 61000-4-5	line/ground	± 1 kV
Conducted disturbances		
EN 61000-4-6	150 kHz ... 80 MHz	10 V

6.6 Network range

Note: The line lengths specified for the transceivers apply for the respective fiber data (fiber attenuation and BLP/ dispersion).

Product code M-SFP-...	Mode ^a	Wave length	Fiber	System attenuation	Example for F/O line length ^b	Fiber attenuation	BLP ^c / dispersion
-SX/LC...	MM	850 nm	50/125 μm	0 dB ... 7.5 dB	0 mi ... 0.34 mi (0 km ... 0.55 km)	3.0 dB/km	400 MHz×km
-SX/LC...	MM	850 nm	62.5/125 μm	0 dB ... 7.5 dB	0 mi ... 0.17 mi (0 km ... 0.275 km)	3.2 dB/km	200 MHz×km
-MX/LC...	MM	1310 nm	50/125 μm	0 dB ... 12 dB	0 mi ... 0.93 mi (0 km ... 1.5 km)	1.0 dB/km	800 MHz×km
-MX/LC...	MM	1310 nm	62.5/125 μm	0 dB ... 12 dB	0 mi ... 0.31 mi (0 km ... 0.5 km)	1.0 dB/km	500 MHz×km
-LX/LC...	MM	1310 nm ^d	50/125 μm	0 dB ... 10.5 dB	0 mi ... 0.34 mi (0 km ... 0.55 km)	1.0 dB/km	800 MHz×km
-LX/LC...	MM	1310 nm ^e	62.5/125 μm	0 dB ... 10.5 dB	0 mi ... 0.34 mi (0 km-0.55 km)	1.0 dB/km	500 MHz×km
-LX/LC...	SM	1310 nm	9/125 μm	0 dB ... 10.5 dB	0 mi ... 12.42 mi (0 km ... 20 km ^f)	0.4 dB/km	3.5 ps/(nm×km)
-LX+/LC...	SM	1310 nm	9/125 μm	5 dB ... 20 dB	8.7 mi ... 26.10 mi (14 km ... 42 km)	0.4 dB/km	3.5 ps/(nm×km)
-LH/LC...	LH	1550 nm	9/125 μm	5 dB ... 22 dB	14.29 mi ... 49.71 mi (23 km ... 80 km)	0.25 dB/km	19 ps/(nm×km)
-LH+/LC	LH	1550 nm	9/125 μm	15 dB ... 30 dB	44.12 mi ... 67.11 mi (71 km ... 108 km)	0.25 dB/km	19 ps/(nm×km)
-LH+/LC	LH	1550 nm	9/125 μm	15 dB ... 30 dB	44.12 mi ... 79.54 mi (71 km ... 128 km)	0.21 dB/km (typically)	19 ps/(nm×km)

Table 7: Fiber port 1000BASE-FX (SFP fiber optic Gigabit Ethernet Transceiver)

Product code M-SFP-...	Mode ^a	Wave length	Fiber	System attenuation	Example for F/O line length ^b	Fiber attenuation	BLP ^c / dispersion
-LH+/LC..	LH	1550 nm	9/125 μm	13 dB ... 32 dB	38.52 mi ... 72.07 mi (62 km ... 116 km)	0.25 dB/km (typically)	19 ps/(nm×km)
-LH+/LC..	LH	1550 nm	9/125 μm	13 dB ... 32 dB	38.52 mi ... 85.75 mi (62 km ... 138 km)	0.21 dB/km (typically)	19 ps/(nm×km)

Table 7: Fiber port 1000BASE-FX (SFP fiber optic Gigabit Ethernet Transceiver)

- a. MM = Multimode, SM = Singlemode, LH = Singlemode Longhaul
- b. including 3 dB system reserve when compliance with the fiber data is observed
- c. Using the bandwidth length product is inappropriate for expansion calculations.
- d. With F/O adapter compliant with IEEE 802.3-2002 clause 38 (single-mode fiber offset-launch mode conditioning patch cord)
- e. With F/O adapter compliant with IEEE 802.3-2002 clause 38 (single-mode fiber offset-launch mode conditioning patch cord)
- f. Including 2.5 dB system reserve when compliance with the fiber data is observed

Product code SFP-GIG-B...	Mode ^a Mode	Wave length TX	Wave length RX	Fiber	System attenuation	Example for F/O line length ^b	Fiber attenuation	Dispersion
SFP-GIG-BA LX/ LC EEC	SM	1310 nm	1550 nm	9/125 μm	0 dB ... 15 dB	0 mi ... 12.42 mi (0 km ... 20 km)	0.4 dB/km	3.5 ps/(nm×km)
SFP-GIG-BB LX/ LC EEC	SM	1550 nm	1310 nm	9/125 μm	0 dB ... 15 dB	0 mi ... 12.43 mi (0 km ... 20 km)	0.25 dB/km	19 ps/(nm×km)
SFP-GIG-BA LX+/LC EEC	SM	1310 nm	1550 nm	9/125 μm	3 dB ... 20 dB	7.45 mi ... 24.86 mi (12 km ... 40 km)	0.4 dB/km	3.5 ps/(nm×km)
SFP-GIG-BB LX+/LC EEC	SM	1550 nm	1310 nm	9/125 μm	3 dB ... 20 dB	7.45 mi ... 24.86 mi (12 km ... 40 km)	0.25 dB/km	19 ps/(nm×km)
SFP-GIG-BA LH/ LC EEC	SM	1490 nm	1550 nm	9/125 μm	4 dB ... 24 dB	11.80 mi ... 49.71 mi (19 km ... 80 km)	0.25 dB/km	19 ps/(nm×km)
SFP-GIG-BB LH/ LC EEC	SM	1550 nm	1490 nm	9/125 μm	4 dB ... 24 dB	11.80 mi ... 49.71 mi (19 km ... 80 km)	0.25 dB/km	19 ps/(nm×km)

Table 8: F/O port (bidirectional Gigabit Ethernet SFP Transceiver)

- a. MM = Multimode, SM = Singlemode, LH = Singlemode Longhaul
- b. including 3 dB system reserve when compliance with the fiber data is observed

10/100/1000 Mbit/s twisted pair port

Length of a twisted pair segment max. 100 m (328 ft) (for Cat5e cable)

Table 9: Network range: 10/100/1000 Mbit/s twisted pair port

7 Scope of delivery

Number	Article
1 ×	Device
1 ×	Safety and general information sheet
1 ×	Information sheet for use in explosive atmospheres
1 ×	First login information sheet
1 ×	Open source information sheet
1 ×	6-pin terminal block for power supply
1 ×	2-pin terminal block for the signal contact

8 Accessories

Note that products recommended as accessories may have different characteristics to those of the device, which may limit the application range of the overall system. For example, if you add an accessory with IP20 to a device with IP65, the IP of the overall system is reduced to IP20.

Name	Order number
Terminal cable	942 097-001
6-pin terminal block (50 pieces) for supply voltage	943 845-013
2-pin terminal block (50 pcs.) for signal contact	943 845-010

Gigabit Ethernet SFP transceiver	Order number
----------------------------------	--------------

The following operating conditions apply to twisted pair transceivers:

- ▶ Longer RSTP switching times and link loss detection times compared to twisted pair ports provided by the device directly.
- ▶ Not applicable for combo and Fast Ethernet ports.
- ▶ Only support of the autonegotiation mode including autocrossing.

M-SFP-SX/LC	943 014-001
M-SFP-SX/LC EEC	943 896-001
M-SFP-MX/LC EEC	942 108-001
M-SFP-LX/LC	943 015-001
M-SFP-LX/LC EEC	943 897-001
M-SFP-LX+/LC	942 023-001
M-SFP-LX+/LC EEC	942 024-001
M-SFP-LH/LC	943 042-001
M-SFP-LH/LC EEC	943 898-001
M-SFP-LH+/LC	943 049-001
M-SFP-LH+/LC EEC	942 119-001
SFP-GIG-LX/LC ^a	942 196-001
SFP-GIG-LX/LC EEC	942 196-002

a. Further information on certifications can be found on the Internet at the Belden product pages (<https://www.belden.com>).

Note: Operate OpEdge-8D devices with fiber optic SFP transceivers only. Copper SFP transceivers are inadmissible.

Bidirectional Gigabit Ethernet SFP transceiver	Order number
--	--------------

SFP-GIG BA LX/LC EEC ^a	942 207-001
SFP-GIG BB LX/LC EEC ^a	942 207-002
SFP-GIG BA LX+/LC EEC ^a	942 208-001
SFP-GIG BB LX+/LC EEC ^a	942 208-002
SFP-GIG BA LH/LC EEC ^a	942 209-001
SFP-GIG BB LH/LC EEC ^a	942 209-002

a. Further information on certifications can be found on the Internet at the Belden product pages (<https://www.belden.com>).

9 Underlying technical standards

Designation	
EN 50121-4	Railway applications – EMC – Emission and immunity of the signaling and telecommunications apparatus (Rail Trackside)
EN 55032	Electromagnetic compatibility of multimedia equipment - Emission requirement
EN 60079-0	Explosive atmospheres – Part 0: Equipment – General requirements
EN 60079-7	Explosive atmospheres – Part 7: Equipment protection by increased safety
EN 60079-15	Explosive atmospheres – Part 15: Equipment protection by type of protection
IEC/EN 62368-1	Equipment of audio/video, information and communication technology - Part 1: safety requirement
EN 61000-6-2	Electromagnetic compatibility (EMC) – Part 6-2: Generic standards – Immunity for industrial environments
EN 61131-2	Programmable controllers – Part 2: Equipment requirements and tests
FCC 47 CFR Part 15	Code of Federal Regulations
IEC 61850-3	Communication networks and systems for power utility automation. Part 3: General requirements
IEEE 1613	Environmental and testing requirements for communications networking devices installed in electric power substations
IEEE 802.3	Ethernet
ANSI/UL 121201	Nonincendive electrical equipment for use in class I and II, division 2 and class III, divisions 1 and 2 hazardous (classified) locations
UL 62368-1	Audio/video, information and communication technology equipment – Part 1: Safety requirements

Table 10: List of the technical standards

The device generally fulfills the technical standards named in their current versions.

The device has an approval based on a specific standard only if the approval indicator appears on the device casing.

If your device has a shipping approval according to Germanischer Lloyd, you find the approval mark printed on the device label. You will find out whether your device has other shipping approvals on the Belden website under <https://www.belden.com> in the product information.

A Further support

Technical questions

For technical questions, please contact any Hirschmann dealer in your area or Hirschmann directly.

You find the addresses of our partners on the Internet at <https://www.belden.com>.

A list of local telephone numbers and email addresses for technical support directly from Hirschmann is available at <https://hirschmann-support.belden.com>.

This site also includes a free of charge knowledge base and a software download section.

Customer Innovation Center

The Customer Innovation Center is ahead of its competitors on three counts with its complete range of innovative services:

- ▶ Consulting incorporates comprehensive technical advice, from system evaluation through network planning to project planning.
- ▶ Training offers you an introduction to the basics, product briefing and user training with certification.
You find the training courses on technology and products currently available at <https://www.belden.com/solutions/customer-innovation-center>.
- ▶ Support ranges from the first installation through the standby service to maintenance concepts.

With the Customer Innovation Center, you decide against making any compromises in any case. Our client-customized package leaves you free to choose the service components you want to use.

Internet:

<https://www.belden.com/solutions/customer-innovation-center>



HIRSCHMANN

A **BELDEN** BRAND