



HIRSCHMANN

A **BELDEN** BRAND

Mounting Instruction

Directional diversity antenna linear for 2.4 GHz, 5 GHz

5 GHz MiMo antenna for sectoral illumination

BAT-ANT-N-8G-DS-IP65

BAT-ANT-N-9A-DS-IP65

BAT-ANT-N-MiMo5-9N-IP65

■ **Safety instructions**



WARNING

ELECTRIC SHOCK OR FALLING

Avoid mounting the antenna near power lines.

When installing an antenna from a ladder or elevating equipment, take precautions to avoid falling and ensure the equipment is securely positioned on solid ground.

Failure to follow these instructions can result in death, serious injury, or equipment damage.

■ **General instructions**

If exposed to extreme environmental conditions, especially icy conditions or a polluted atmosphere, the connectors should be covered with a self-vulcanizing tape or a cold shrink tube.

■ Disclaimer

All pertinent country, state, regional, and local safety regulations must be observed when installing and using this product. For reasons of safety and to help ensure compliance with documented system data, only the manufacturer should perform repairs to components. This equipment must only be installed and serviced by qualified personnel.

■ Measuring units

The dimensions are in mm.

■ Mounting the holder on a flat surface

Mount the holder on the flat surface, as shown.

Note: Mount the holder oriented as shown.

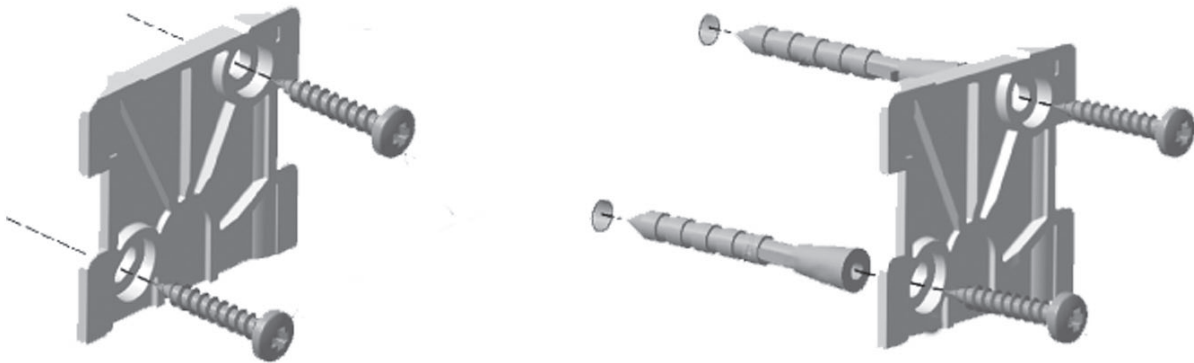


Figure 1: Mounting the holder on a flat surface, without plugs and with plugs (Ø 6 mm)

■ Drilling template

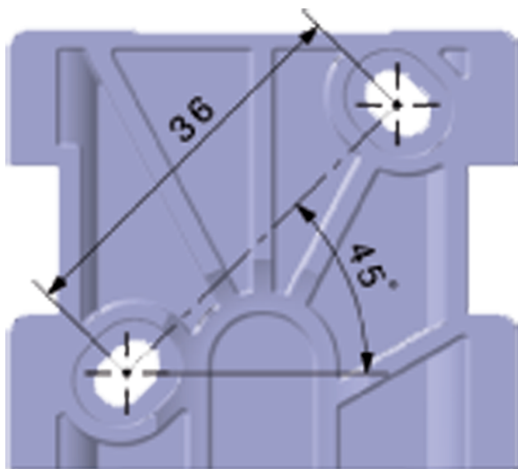


Figure 2: Drilling template on scale 1:1

■ **Mounting the antenna on the holder**

- Set the antenna on the guide and slide it down until it engages.

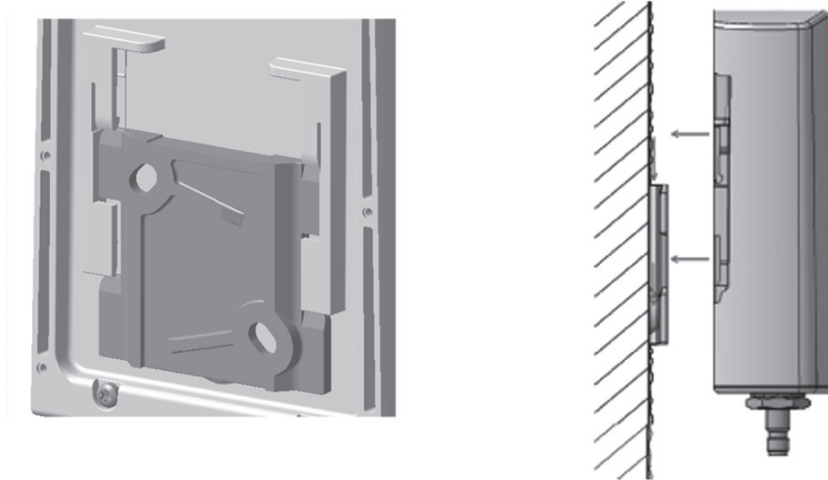


Figure 3: Mounting the antenna on the holder

- To remove the antenna, slide it up until the catch releases.

■ **Mounting the connecting cable**

- Attach the connecting cable to the antenna cable connection.
- Tighten the coupling nut.

Note: Use a maximum coupling nut torque of 17.7 lb in / 2 Nm.

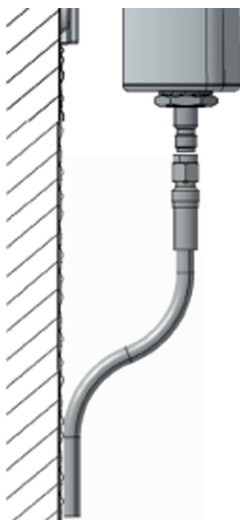


Figure 4: Connecting the cable

■ Mounting the holder on a bracket

- Choose the bracket mounting position, as shown.
- Mount the holder on the bracket using the M4 screws, as shown.

Note: Use a tightening torque of 13.2 lb in / 1.5 Nm.

Note: The holder and screws you will find in an enclosed parts kit.

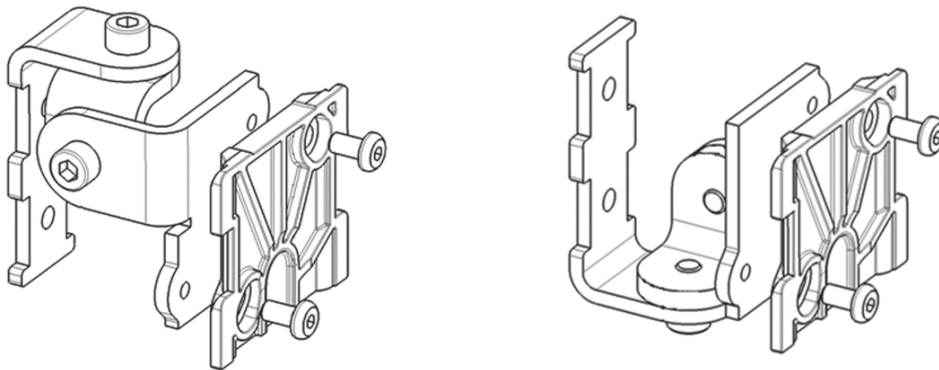


Figure 5: Mounting the holder on the bracket, 2 possible positions

■ Mounting the bracket on the pole

- Mount the bracket on a pole using the clamps, as shown.

Note: Use a tightening torque of 44.2 lb in / 5 Nm.

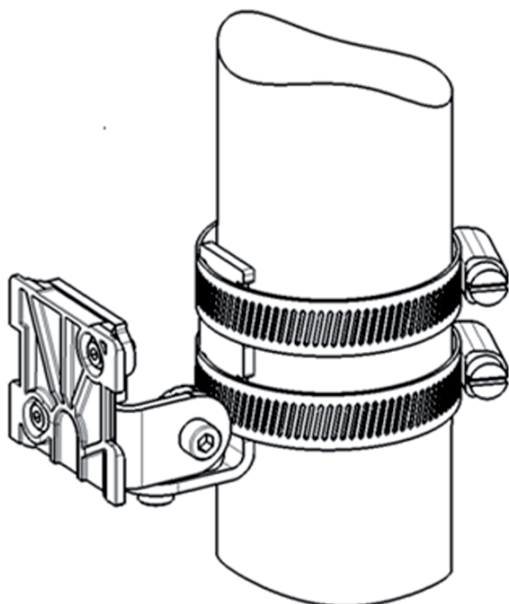


Figure 6: Mounting the bracket on a pole (\varnothing 25 - 85 mm)

■ Surface mounting the bracket

- Mount the bracket on the flat surface, as shown.

Note: Depending on the flat surface material, you can omit the plugs.

Note: The plugs and screws you will find in an enclosed parts kit.

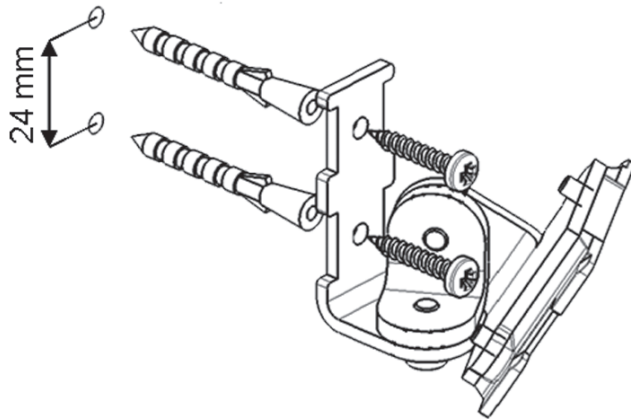


Figure 7: Mounting the bracket on a flat surface, with plugs (\varnothing 6 mm)

■ Mounting the antenna on the bracket

- Set the antenna on the guide and slide it down until it engages.

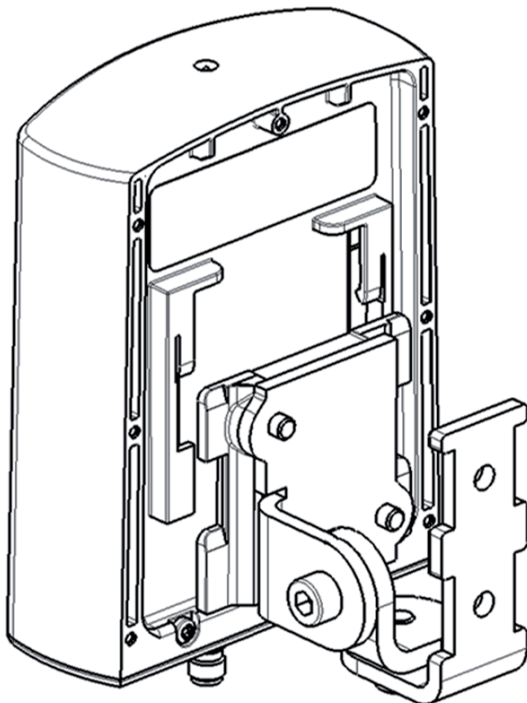


Figure 8: Mounting the antenna on the bracket

- To remove the antenna, slide it up until the catch releases.

■ Aligning the antenna

Note: Do not attempt to change the position of the antenna after the mounting screws have been tightened.

- Align the antenna in the desired position.
- Tighten the vertical axis (1) using a M5 screw.
- Tighten the horizontal axis (2) using a M5 screw.

Note: For both axes use a tightening torque of 30.9 lb in / 3.5 Nm.

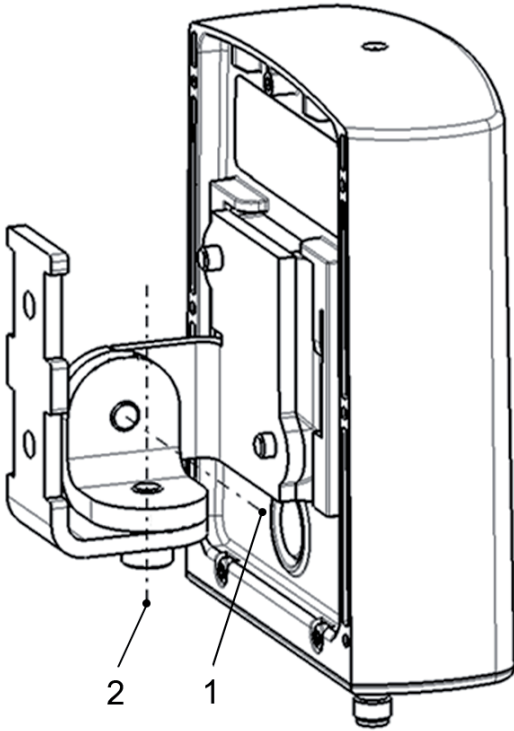


Figure 9: Aligning the antenna

■ **Mounting the connecting cable**

- Attach the connecting cable to the antenna cable connection.
- Tighten the coupling nut.

Note: Use a maximum coupling nut torque of 17.7 lb in / 2 Nm.

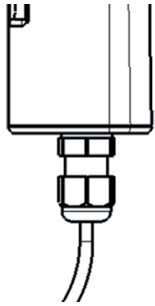


Figure 10: Connecting the cable

