



HIRSCHMANN

A **BELDEN** BRAND

Mounting Instruction

Omnidirectional antenna for 2.4 GHz band BAT-ANT-N-6G-IP65

■ **Safety instructions**



WARNING

ELECTRIC SHOCK OR FALLING

Avoid mounting the antenna near power lines.

When installing an antenna from a ladder or elevating equipment, take precautions to avoid falling and ensure the equipment is securely positioned on solid ground.

Failure to follow these instructions can result in death, serious injury, or equipment damage.

■ **General instructions**

If exposed to extreme environmental conditions, especially icy conditions or a polluted atmosphere, the connectors should be covered with a self-vulcanizing tape or a cold shrink tube.

■ **Disclaimer**

All pertinent country, state, regional, and local safety regulations must be observed when installing and using this product. For reasons of safety and to help ensure compliance with documented system data, only the manufacturer should perform repairs to components. This equipment must only be installed and serviced by qualified personnel.

■ **Mounting the antenna to a pole**

- Wrap the clamps (1) around the bracket (2) and pole (3).
- Tighten the clamps to the pole (3).

Note: Use a tightening torque of 30.9 lb in / 3.5 Nm.

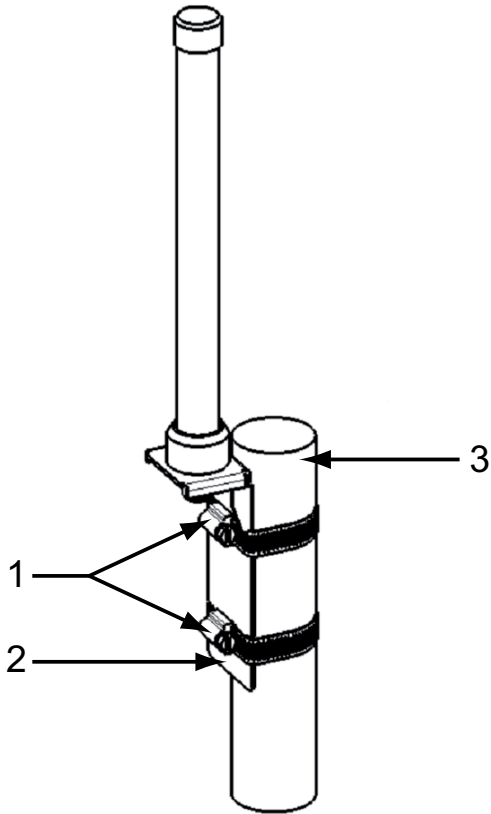


Figure 1: Mounting the antenna to a pole