



HIRSCHMANN

A **BELDEN** BRAND

Mounting Instruction

Hemispherical antenna for 2.4 and 5 GHz band BAT-ANT-N-6ABG-IP65

■ **Safety instructions**



WARNING

ELECTRIC SHOCK OR FALLING

Avoid mounting the antenna near power lines.

When installing an antenna from a ladder or elevating equipment, take precautions to avoid falling and ensure the equipment is securely positioned on solid ground.

Failure to follow these instructions can result in death, serious injury, or equipment damage.

■ **General instructions**

If exposed to extreme environmental conditions, especially icy conditions or a polluted atmosphere, the connectors should be covered with a self-vulcanizing tape or a cold shrink tube.

■ **Disclaimer**

All pertinent country, state, regional, and local safety regulations must be observed when installing and using this product. For reasons of safety and to help ensure compliance with documented system data, only the manufacturer should perform repairs to components. This equipment must only be installed and serviced by qualified personnel.

■ Measuring units

The dimensions are in mm.

The tightening torques are in lb in and Nm.

■ Indoor mounting

□ Mount the holder using M4 screws, as shown.

Note: Use a maximum tightening torque of 17.7 lb in / 2 Nm.

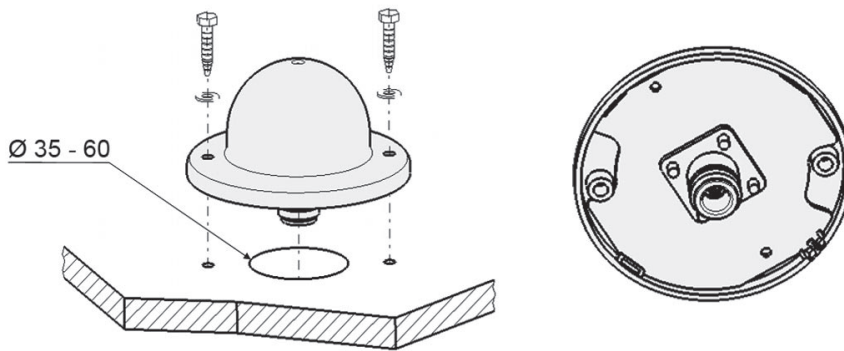


Figure 1: Indoor mounting / Bottom view of the antenna: mounting without sealing

■ Outdoor mounting and vehicular applications

Important: The roof of the vehicle should have sufficient mechanical stability to ensure a correct sealing of the antenna.

Seal the drill holes with the appropriate sealant.

For outdoor overhead mounting, please ensure that the complete backside of the antenna is weather protected.

□ Mount the holder using M4 screws, as shown.

Note: Use a maximum tightening torque of 17.7 lb in / 2 Nm.

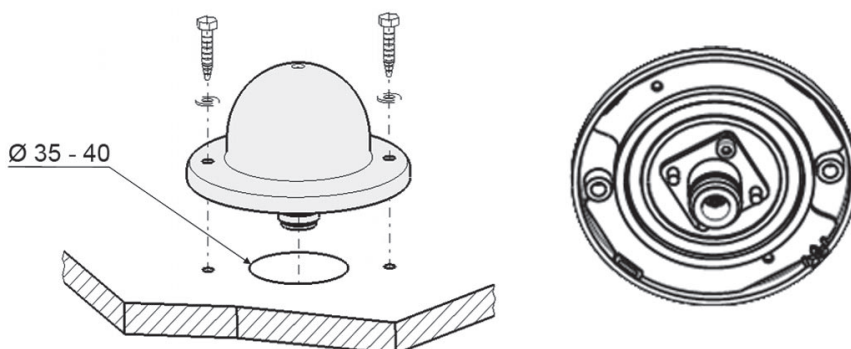


Figure 2: Outdoor mounting and vehicular applications / Bottom view of the antenna: mounting with sealing