



HIRSCHMANN

Hirschmann Automation and Control GmbH

MSP HiOS-2A Rel. 09012

Reference Manual
Graphical User Interface

User Manual
Configuration



HIRSCHMANN





















+

-



















-







✓











-

-













≡

≡

≡

≡









-









-

















































\mathbb{B}^+

\mathbb{B}^{\times}

\mathbb{B}^+



Ⓜ
+













































+

-





































+

x



+

x























Ⓜ+

Ⓜ×



+

x







+

x



⊕

⊗







⊕

⊗





β_+

β_x



\mathbb{B}^+

\mathbb{B}^{\times}









+

x













































A writing area consisting of a thick blue header bar at the top, followed by 16 thin horizontal lines spaced evenly below it.









B+



















⌘ +





B+



-





⌘ +

⌘ +



































☞
+

















































+

x

































































































-













↻

✓





+





















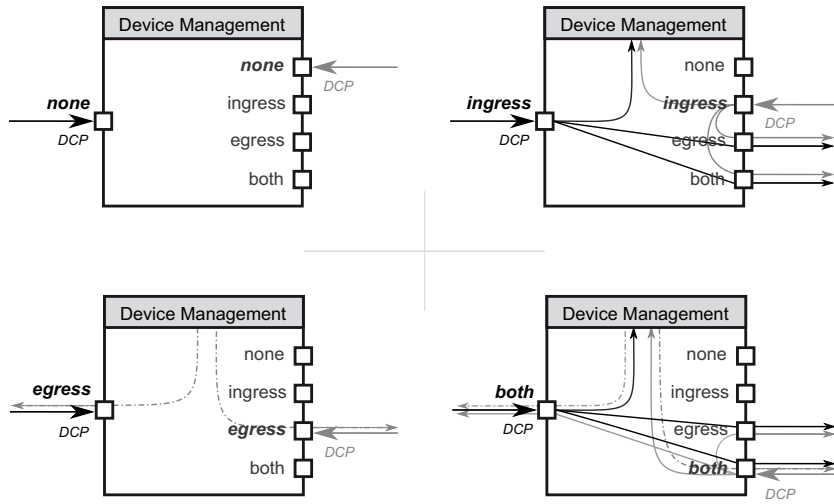


+

x

























HIRSCHMANN



HIRSCHMANN









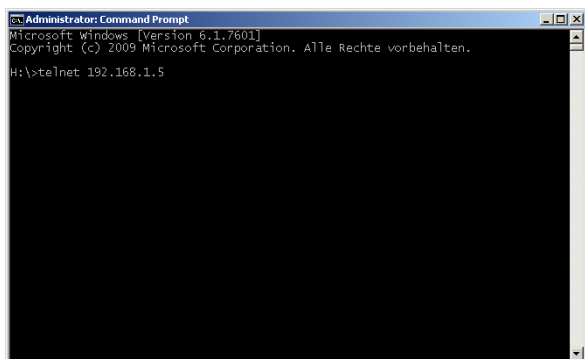




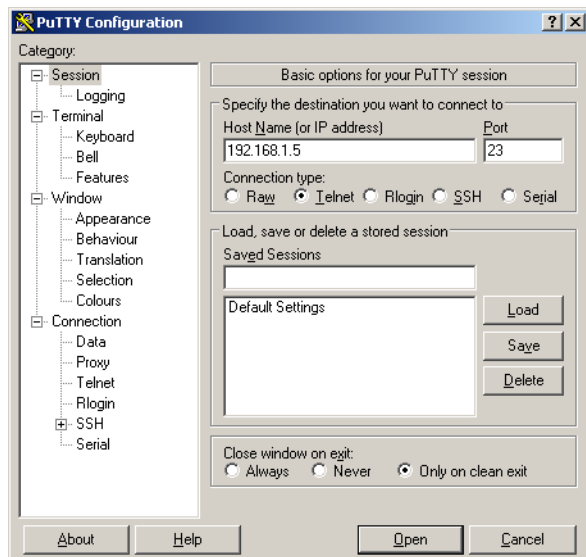


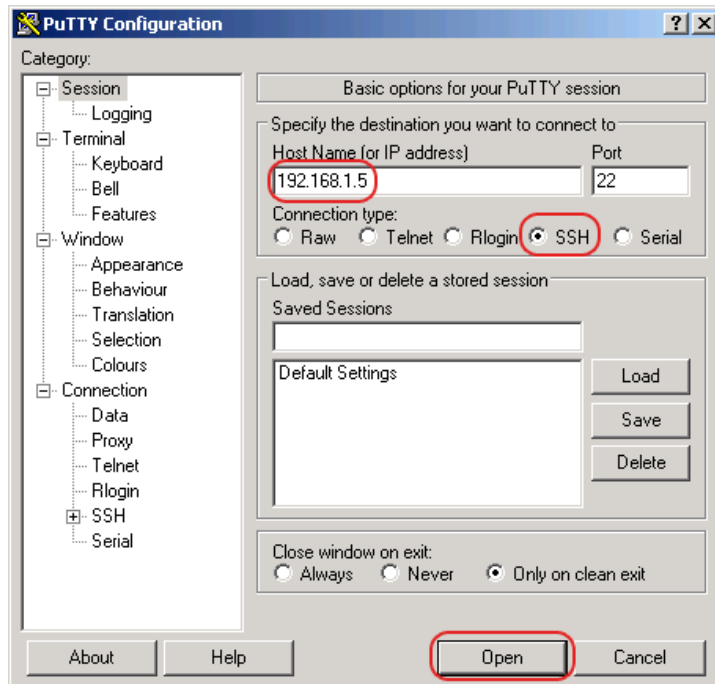




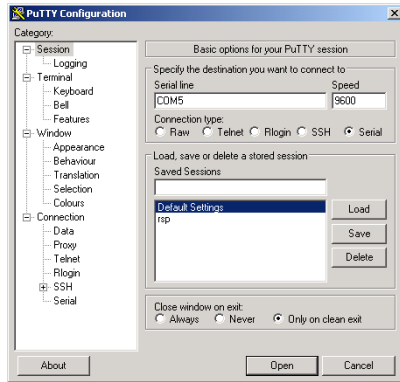


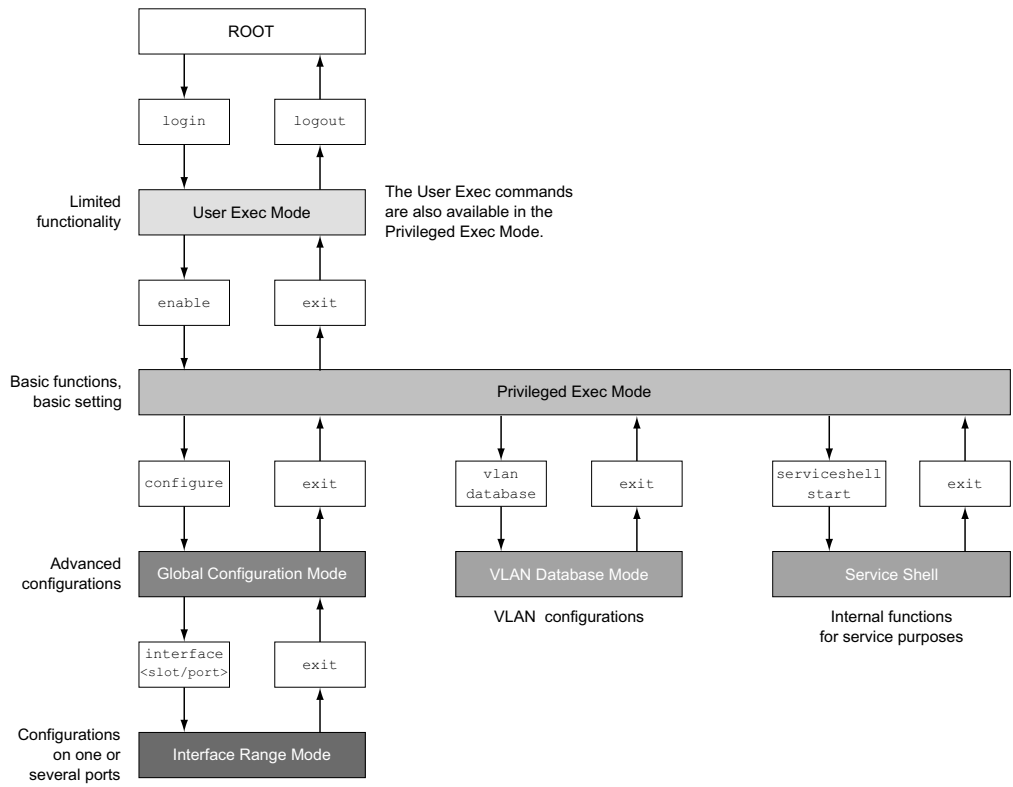
```
Administrator: Command Prompt
Microsoft Windows [Version 6.1.7601]
Copyright (c) 2009 Microsoft Corporation. Alle Rechte vorbehalten.
H:\>telnet 192.168.1.5
```

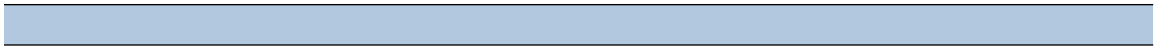
















Section 1

Blank lined area for notes.

Blank line separator.

Section 2

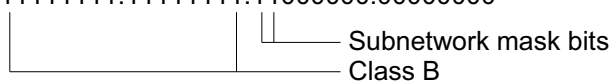
Blank lined area for notes.



0	Net ID - 7 bits	Host ID - 24 bits	Class A
1 0	Net ID - 14 bits	Host ID - 16 bits	Class B
1 1 0	Net ID - 21 bits	Host ID - 8 bits	Class C
1 1 1 0	Multicast Group ID - 28 bits		Class D
1 1 1 1	reserved for future use - 28 bits		Class E

Decimal notation
255.255.192.0

Binary notation
11111111.11111111.11000000.00000000



Decimal notation

129.218.65.17

└─── 128 < 129 191 > Class B

Binary notation

10000001.11011010.01000001.00010001

└─── Subnetwork 1
└─── Network address

Decimal notation

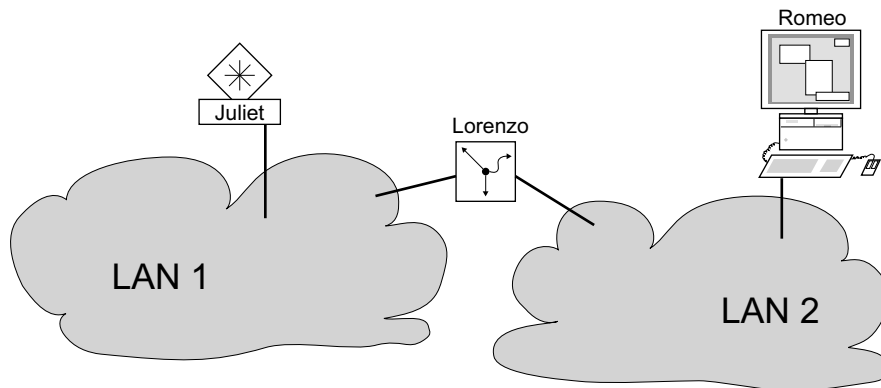
129.218.129.17

└─── 128 < 129 191 > Class B

Binary notation

10000001.11011010.10000001.00010001

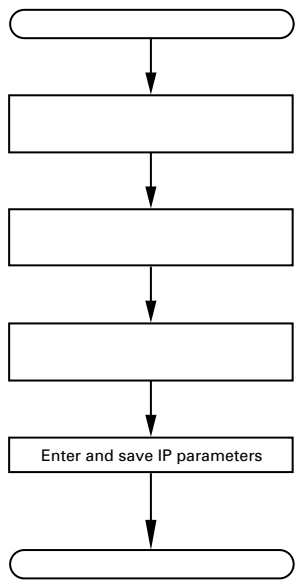
└─── Subnetwork 2
└─── Network address



IP address, decimal	Network mask, decimal	IP address, binary
192.168.112.1	255.255.255.128	11000000 10101000 01110000 00000001
192.168.112.127		11000000 10101000 01110000 01111111
		----- 25 mask bits -----

CIDR notation: 192.168.112.0/25

└----- Mask bits



```
NOTE: Enter '?' for Command Help.  Command help displays all opt
that are valid for the particular mode.
For the syntax of a particular command form, please
consult the documentation.
```

```
! ( ) >
```



Id	MAC Address	Writable	IP Address	Net Mask	Default Gateway	Product	Name
1	00:80:63:A4:CC:00	<input checked="" type="checkbox"/>	10.115.0.76	255.255.224.0	10.115.0.3		
2	00:80:63:C0:50:00	<input type="checkbox"/>	10.115.0.33	255.255.224.0	10.115.0.3		
3	00:80:63:A3:40:00	<input type="checkbox"/>	10.115.0.70	255.255.224.0	10.115.0.3		
4	00:80:63:98:14:00	<input type="checkbox"/>	10.115.0.17	255.255.224.0	10.115.0.3		
5	00:80:63:9E:E4:00	<input type="checkbox"/>	0.0.0.0	0.0.0.0	0.0.0.0		
6	00:80:63:46:00:06	<input checked="" type="checkbox"/>	192.168.2.181	255.255.255.0	192.168.2.1		
7	00:80:63:A3:40:40	<input type="checkbox"/>	10.115.0.59	255.255.224.0	10.115.0.3		
8	00:80:63:A4:CC:40	<input type="checkbox"/>	10.115.0.81	255.255.224.0	10.115.0.3		
9	00:80:63:6E:38:4E	<input checked="" type="checkbox"/>	192.168.2.174	255.255.255.0	192.168.2.1		
10	00:80:63:18:2A:61	<input checked="" type="checkbox"/>	192.168.2.170	255.255.255.0	192.168.2.1		
11	00:80:63:A3:40:80	<input type="checkbox"/>	10.115.0.66	255.255.224.0	10.115.0.3		
12	00:80:63:A4:CC:80	<input type="checkbox"/>	10.115.0.80	255.255.224.0	10.115.0.3		
13	00:80:63:61:AC:81	<input checked="" type="checkbox"/>	192.168.2.176	255.255.255.0	192.168.2.1		
14	00:80:63:98:10:95	<input type="checkbox"/>	10.115.0.22	255.255.224.0	10.115.0.3		
15	00:80:63:61:AC:AB	<input checked="" type="checkbox"/>	192.168.2.40	255.255.255.0	192.168.2.1		
16	00:80:63:3B:5C:BD	<input checked="" type="checkbox"/>	192.168.2.178	255.255.255.0	192.168.2.1		
17	00:80:63:A3:40:C0	<input type="checkbox"/>	10.115.0.72	255.255.224.0	10.115.0.3		
18	00:80:63:8F:2C:BE	<input type="checkbox"/>	10.115.0.40	255.255.224.0	10.115.0.3		
19	00:80:63:88:38:EC	<input checked="" type="checkbox"/>	192.168.110.92	255.255.255.0	0.0.0.0		
20	00:80:63:9B:11:00	<input type="checkbox"/>	10.115.0.35	255.255.224.0	10.115.0.3		
21	00:80:63:A4:CD:00	<input type="checkbox"/>	10.115.0.77	255.255.224.0	10.115.0.3		
22	00:80:63:99:41:08	<input type="checkbox"/>	10.115.0.13	255.255.224.0	10.115.0.3		
23	00:80:63:17:35:08	<input checked="" type="checkbox"/>	192.168.2.164	255.255.255.0	192.168.2.1		
24	00:80:63:44:19:2E	<input checked="" type="checkbox"/>	10.115.5.130	255.255.224.0	10.115.0.3		

Properties [X]

MAC Address: 00:80:63:A3:40:00

Name: Power Unit 1 Switch 2

IP Configuration

IP Address: . . .

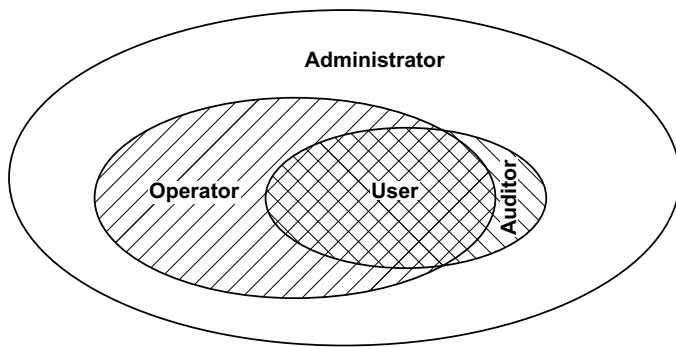
Net Mask: . . .

Default Gateway: . . .





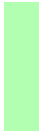








B+







A form consisting of a thick, light blue horizontal bar at the top, followed by seven thin, black horizontal lines below it, all spanning the width of the page.



+



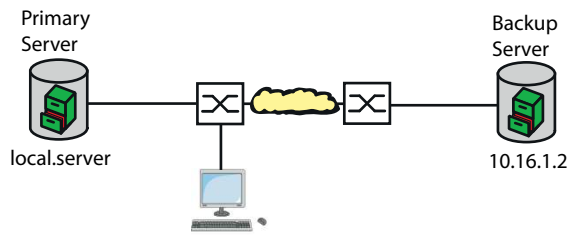


0
x



- -
- -
- -
- -











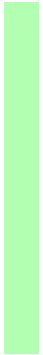


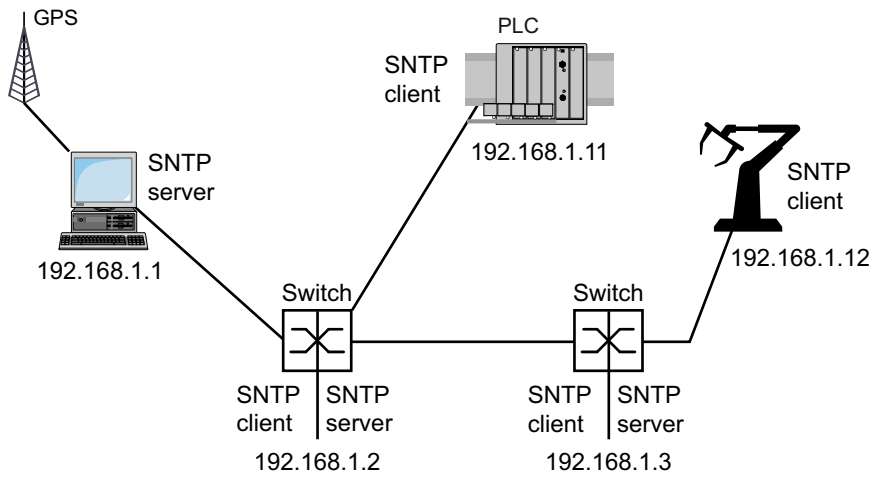






-



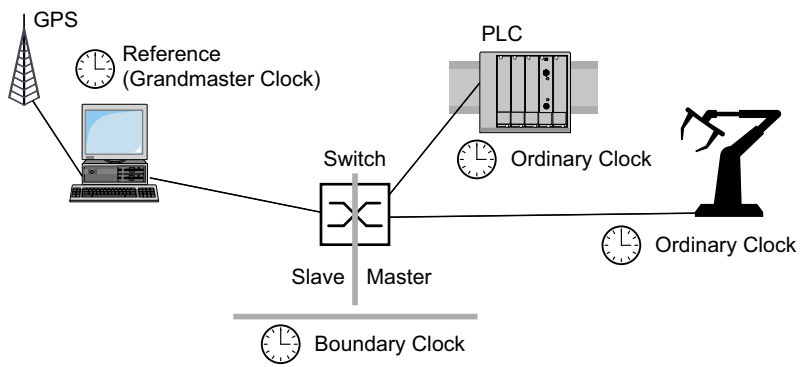




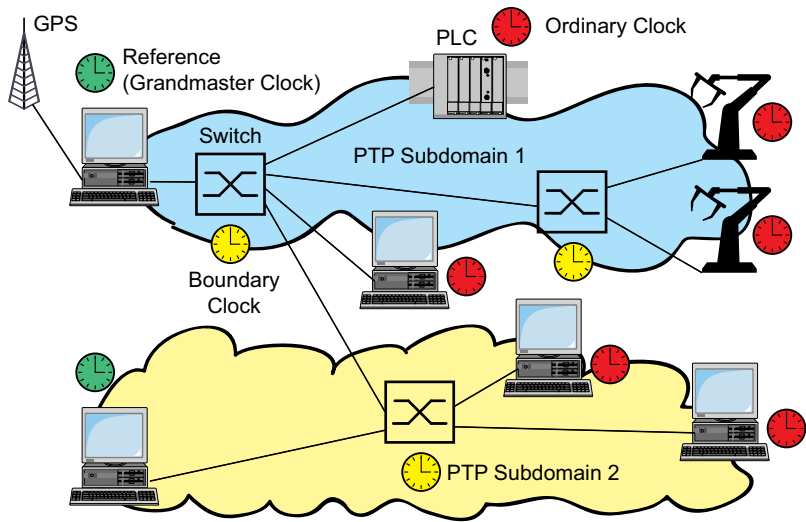
+

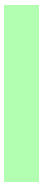






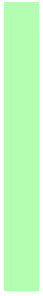




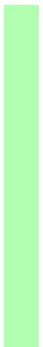








=













script=<file_name>

<file_name>







-

-

-

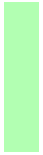


≡



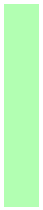








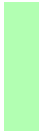
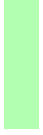




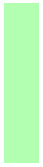


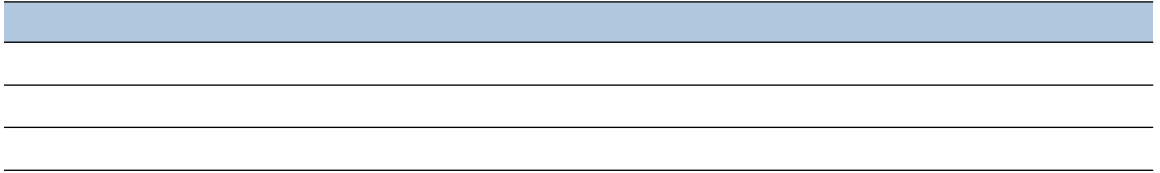












B+

B+





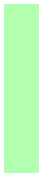
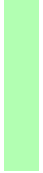




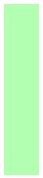
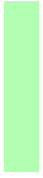




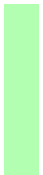
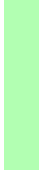
















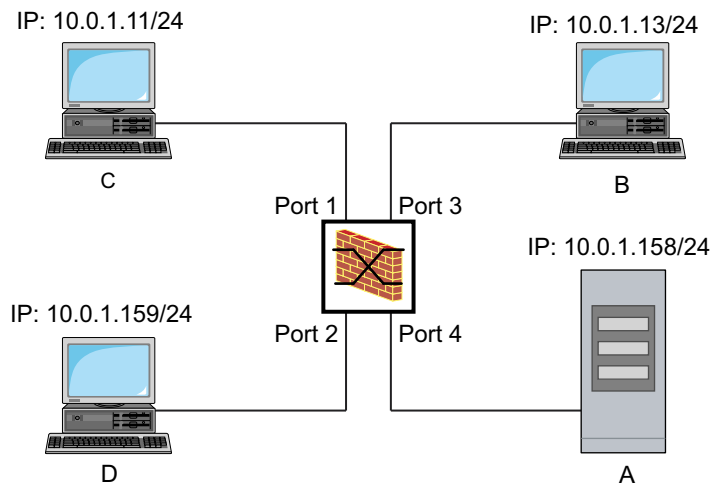


⊕

+

✓

⊗





\mathbb{B}^+

+

✓

\mathbb{B}^{\times}











+











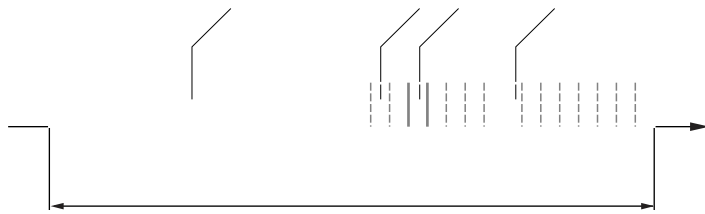
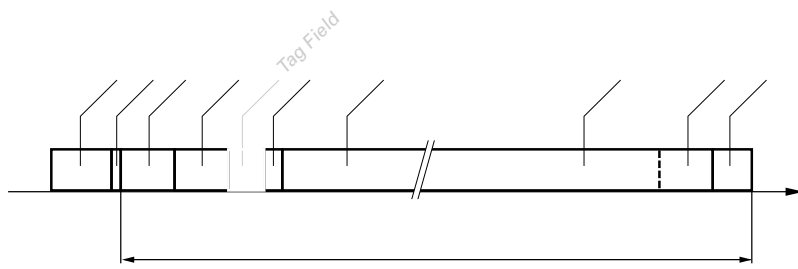






















-

-

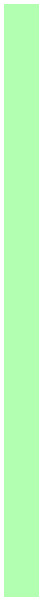
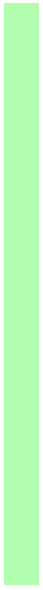
-



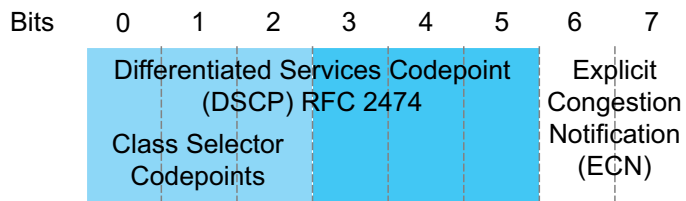
-
-



- -
-









⌘+

⌘+

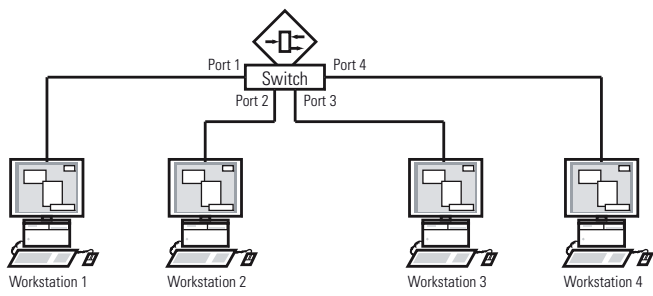
⌘+



⌘+

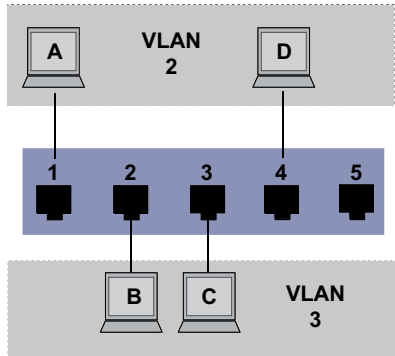










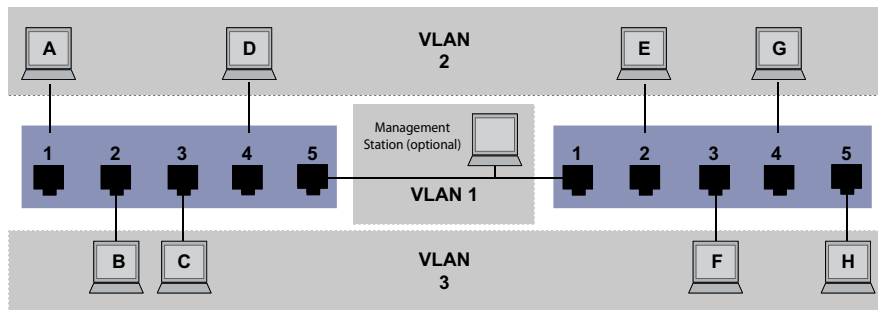




B+









⌘ +









B+

B+

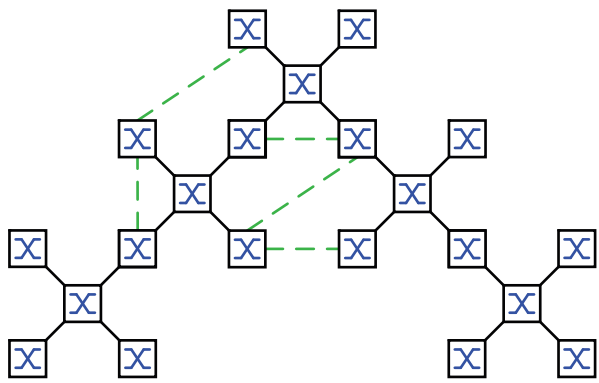
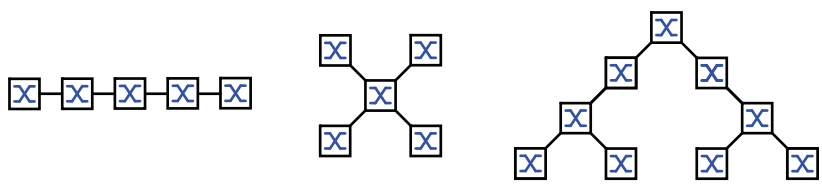


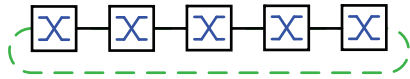






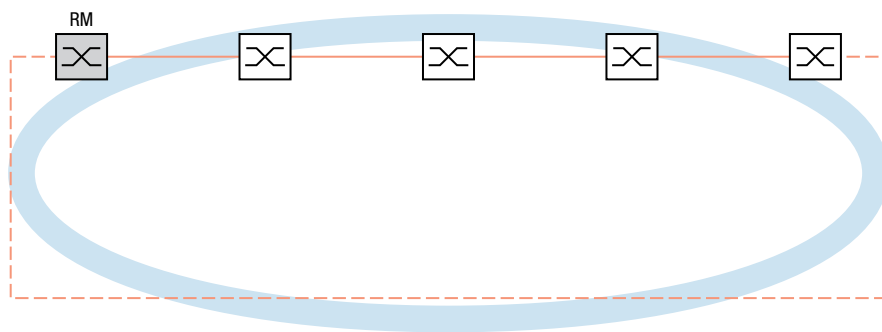
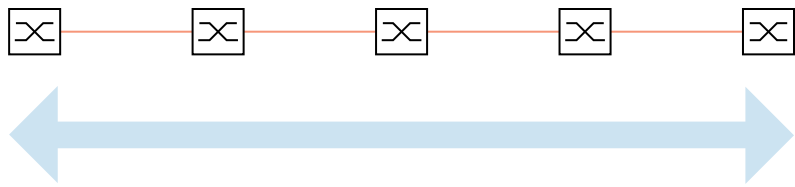






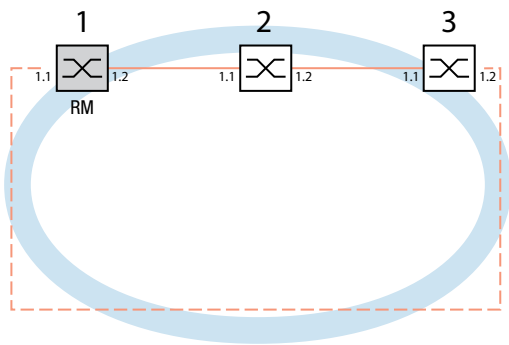




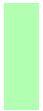
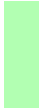
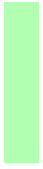






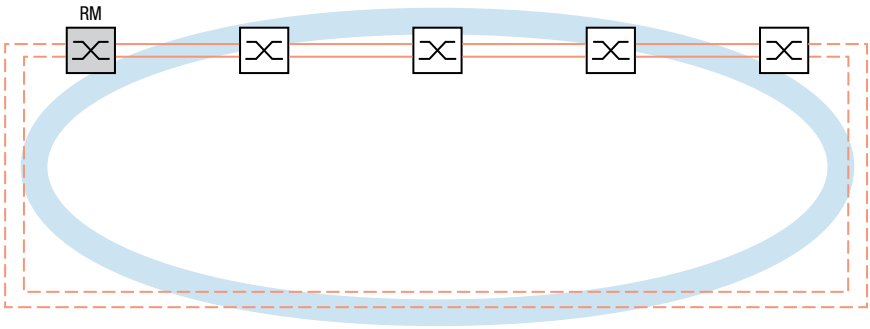
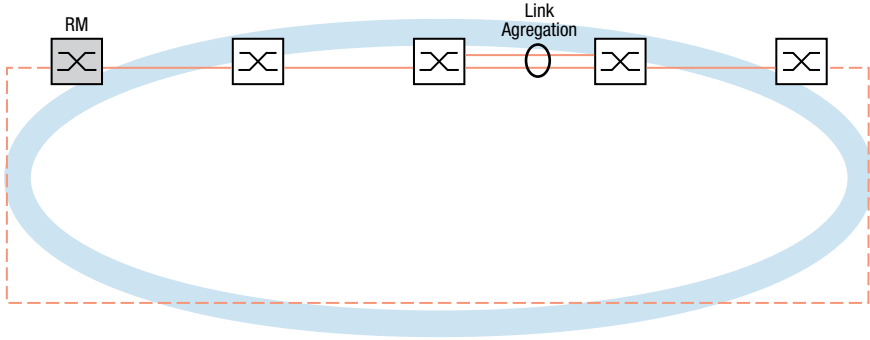


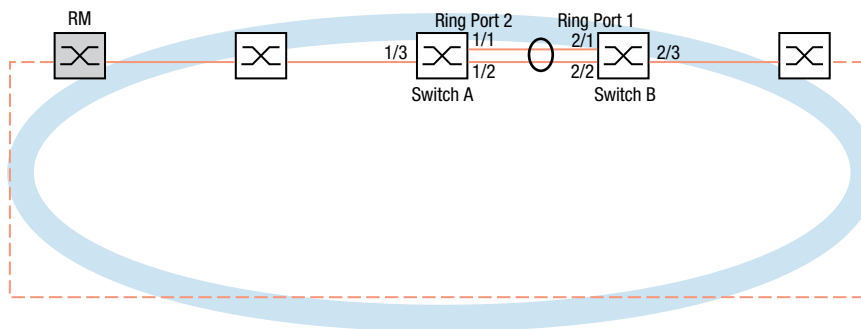
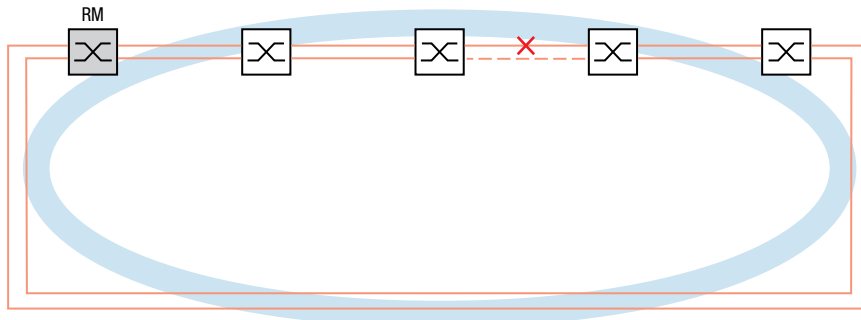








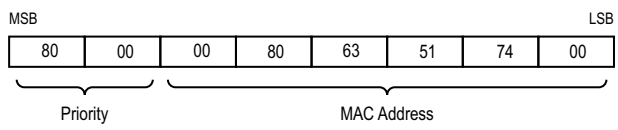


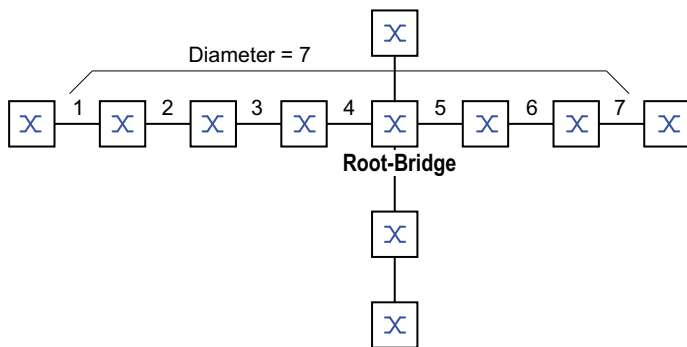
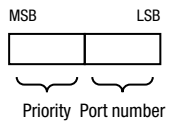




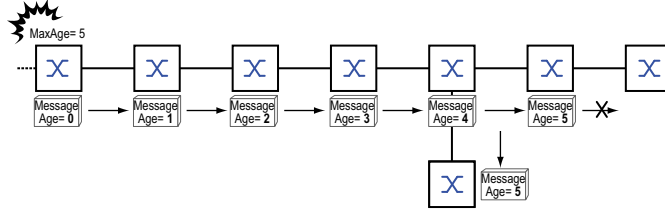


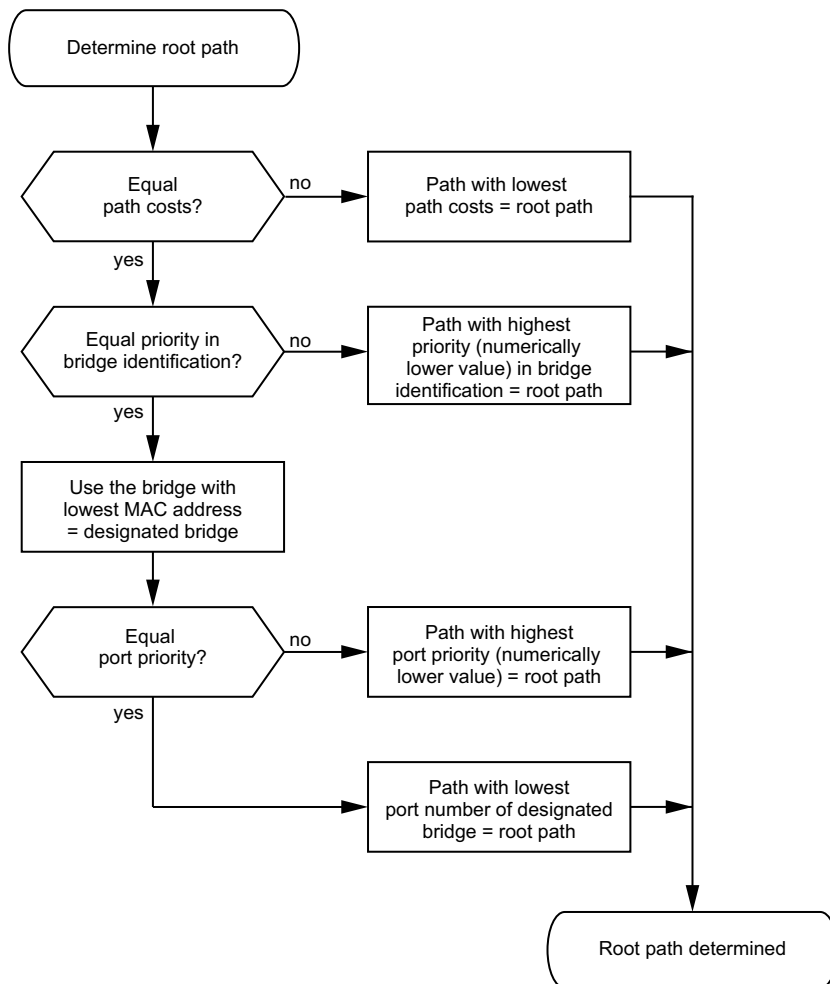


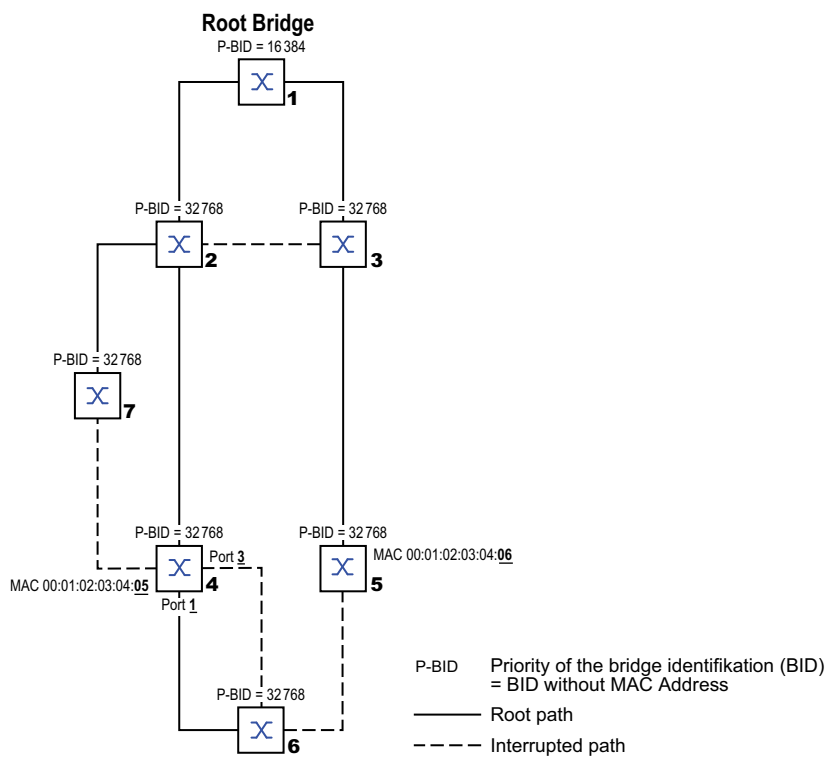


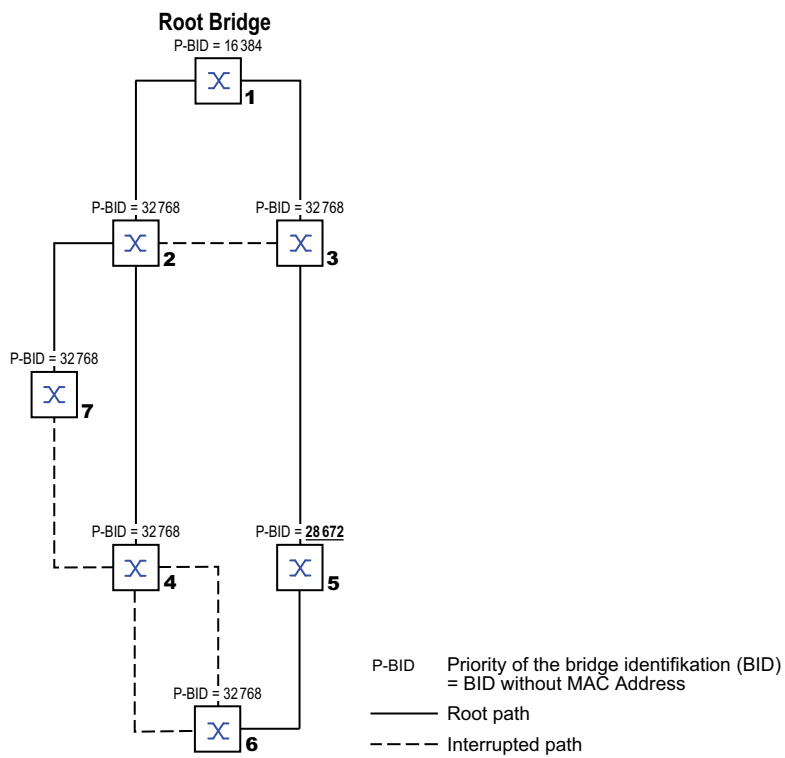


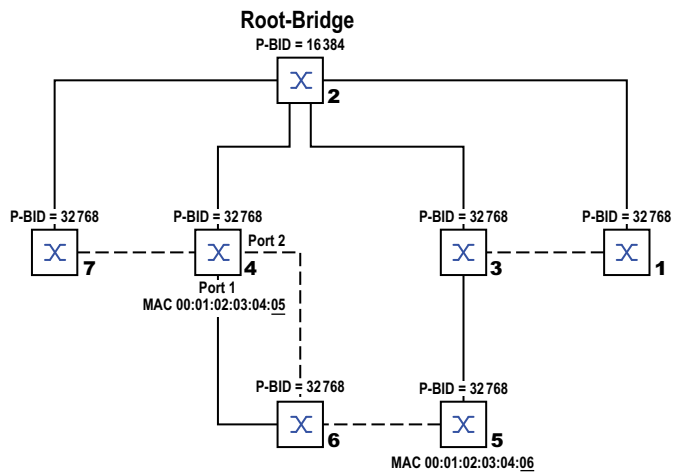
Root-Bridge









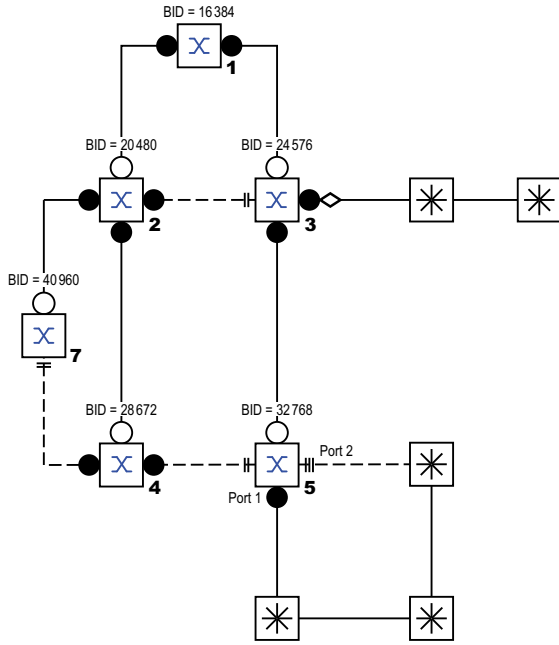


P-BID Priority of the bridge identification (BID)
 = BID without MAC Address

—— Root path

---- Interrupted path

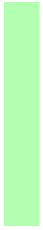


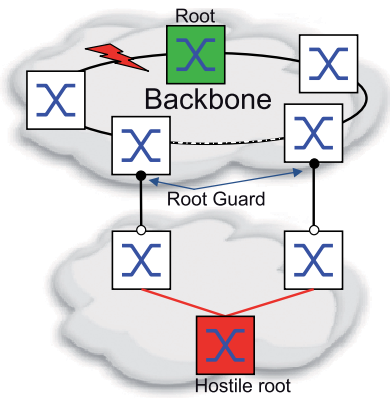
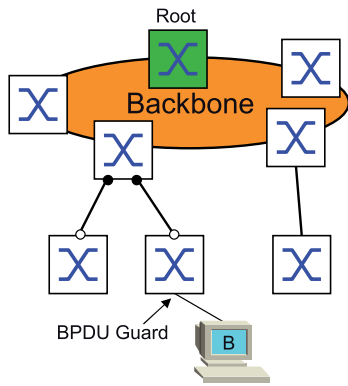


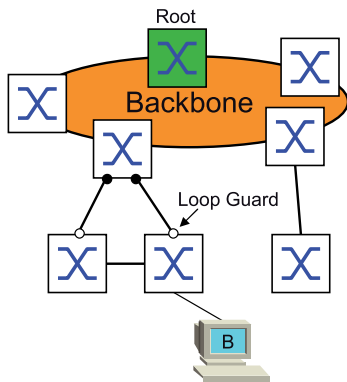
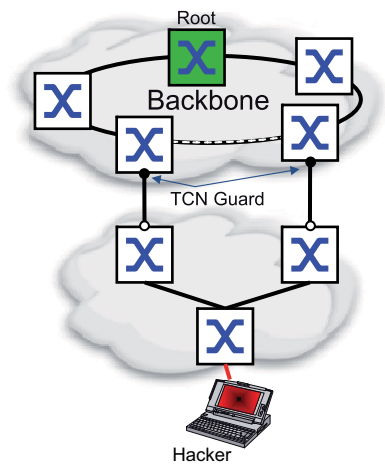
- P-BID Priority of the bridge identification (BID)
= BID without MAC Address
- Root path
- - - Interrupted path
- Root port
- Designated port
- || Alternate port
- ||| Backup port
- ◇ Edge port









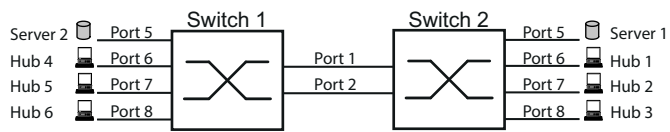




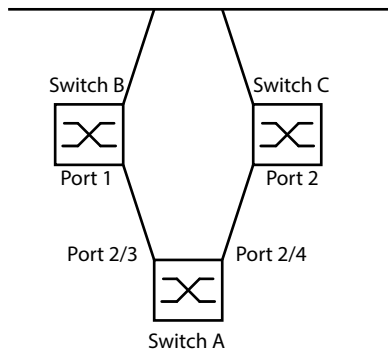


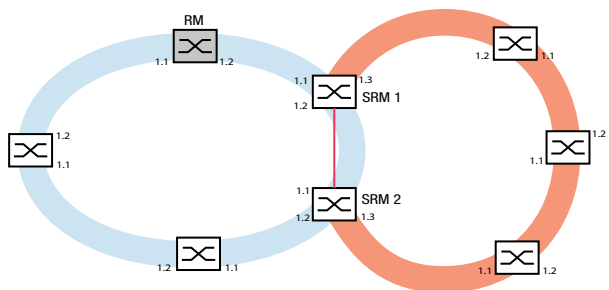


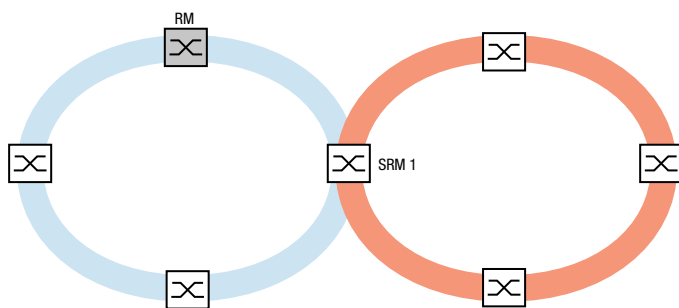
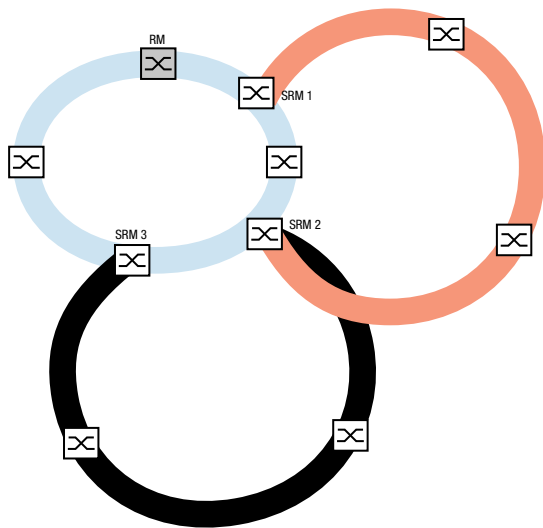
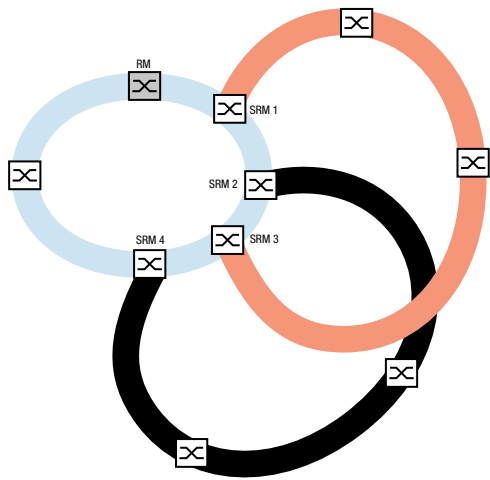


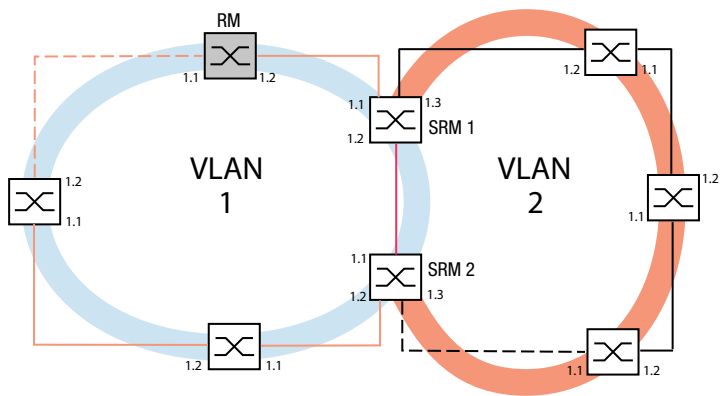








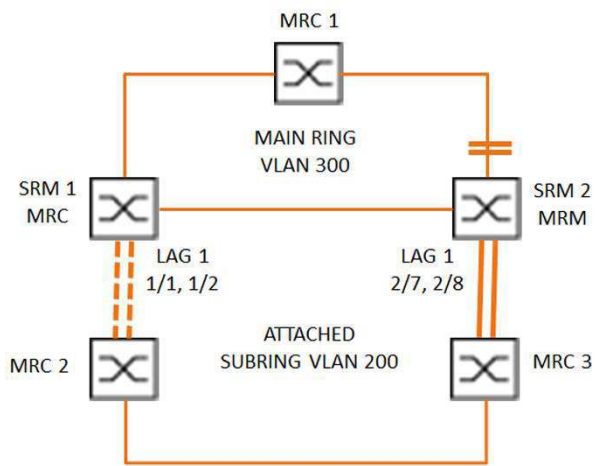


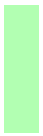
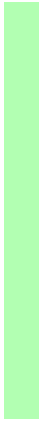
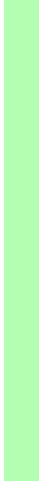




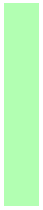
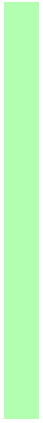




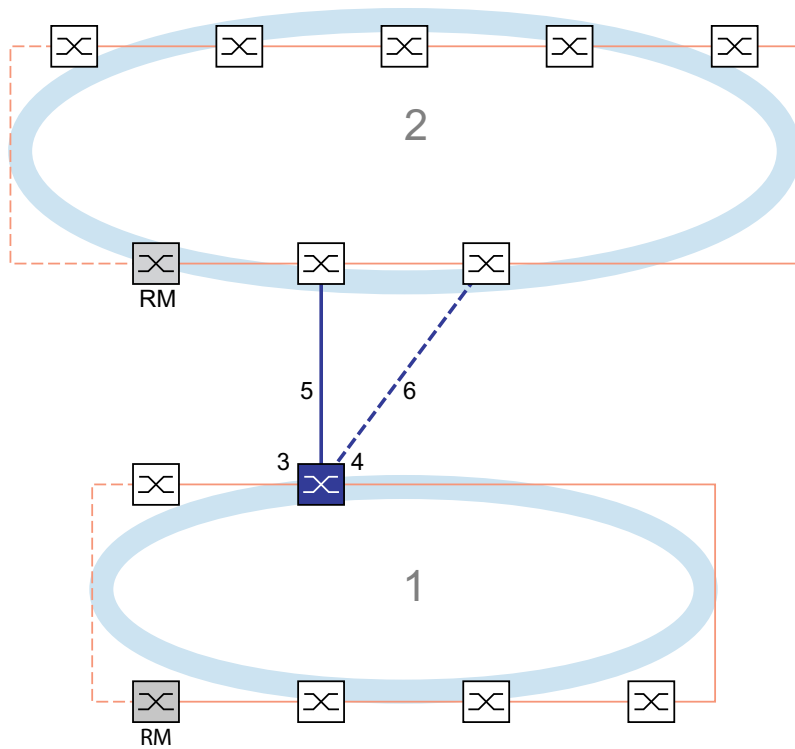


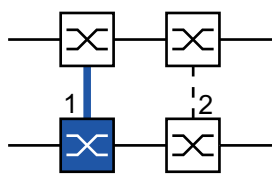
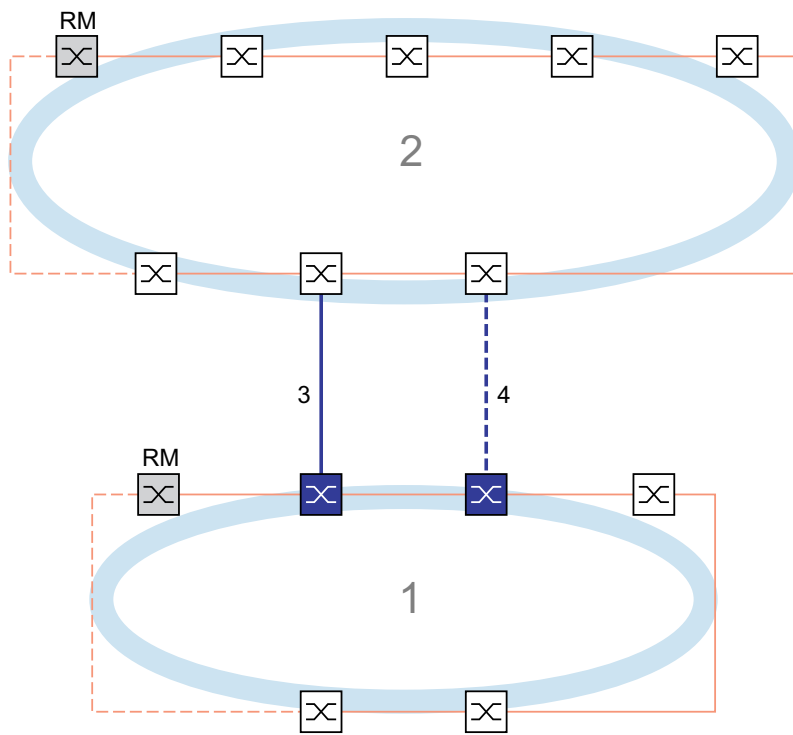


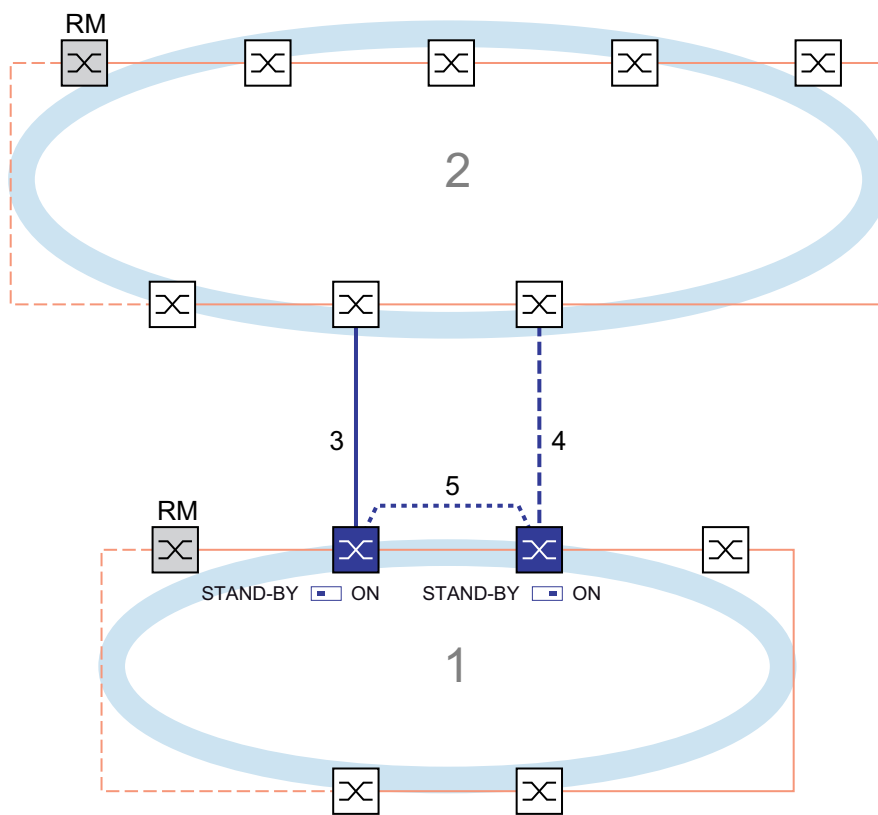
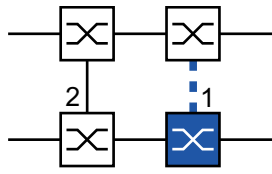


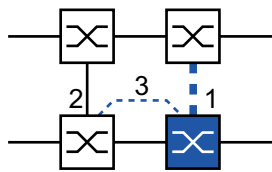
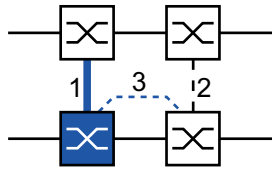




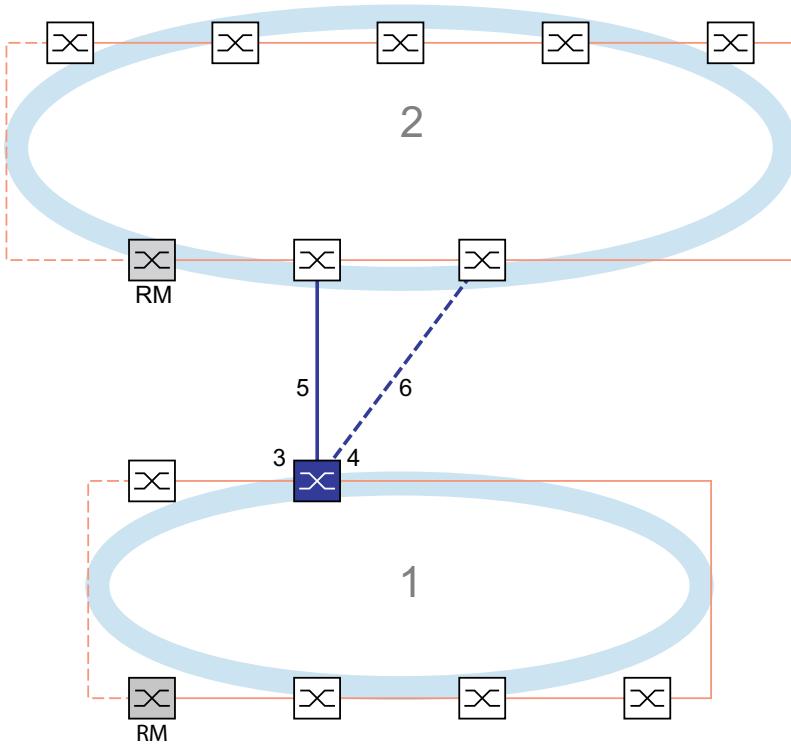


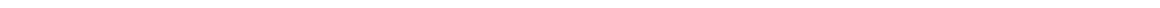
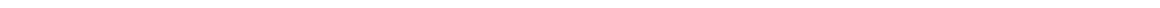
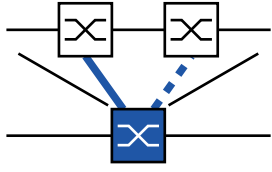




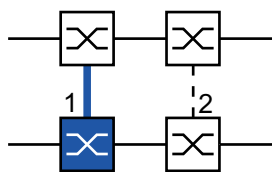
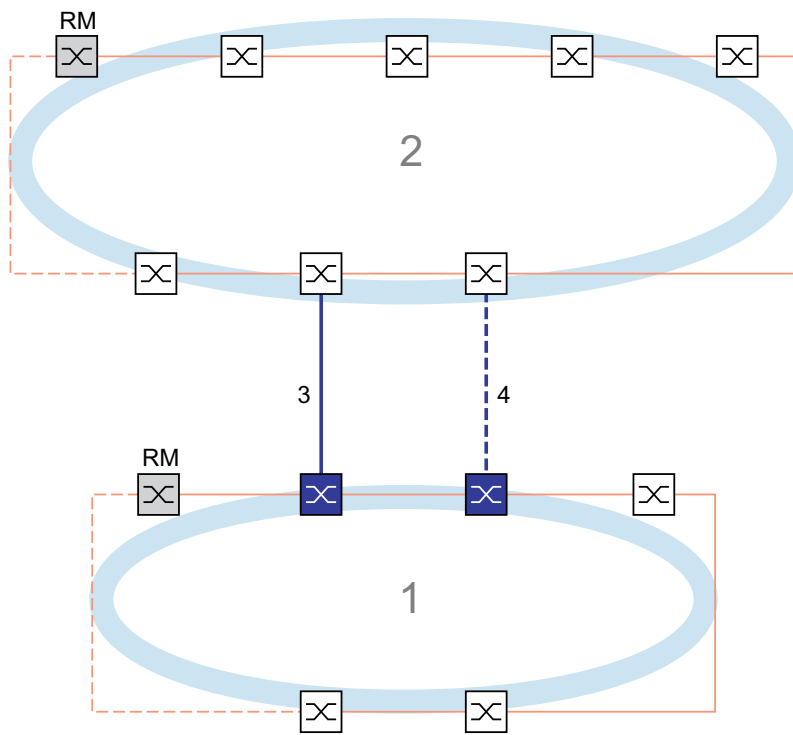


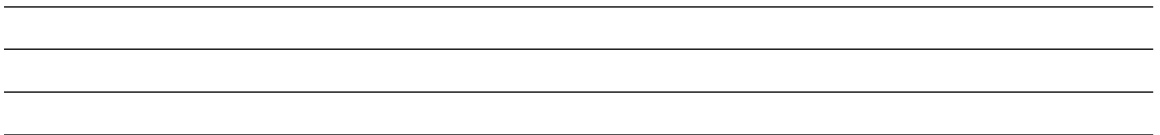


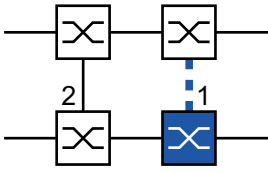


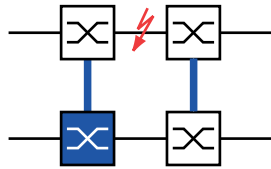


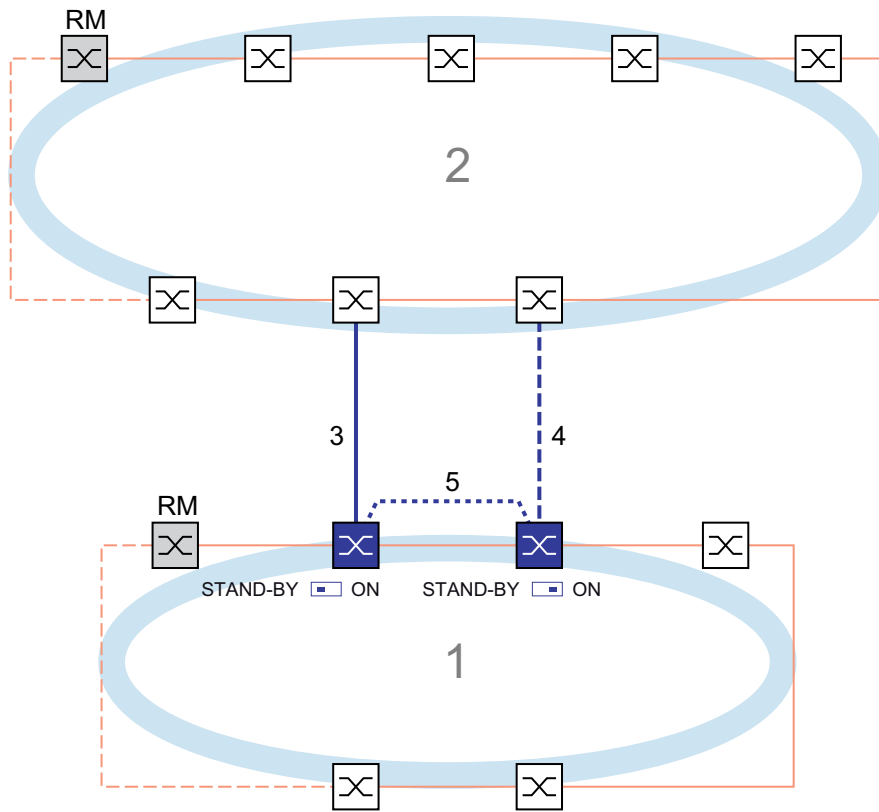


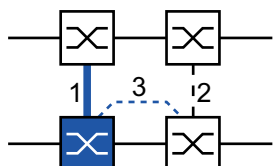


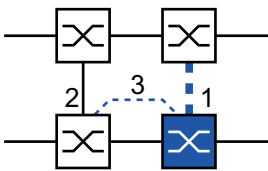




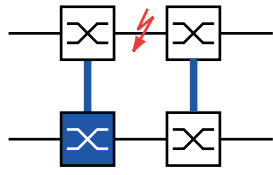


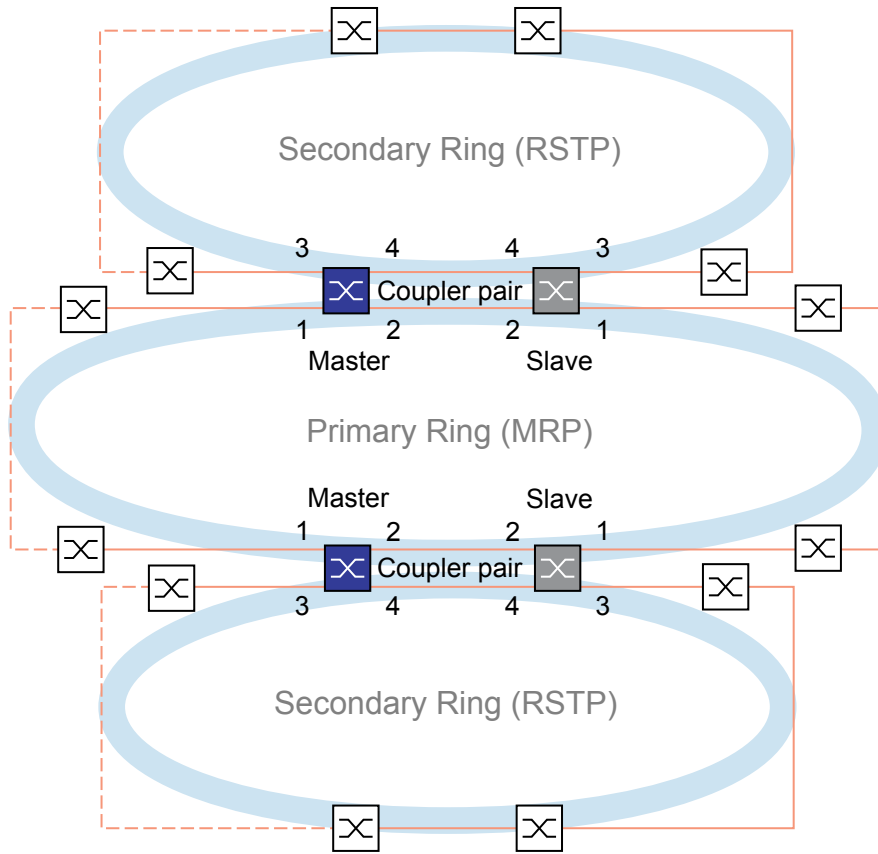


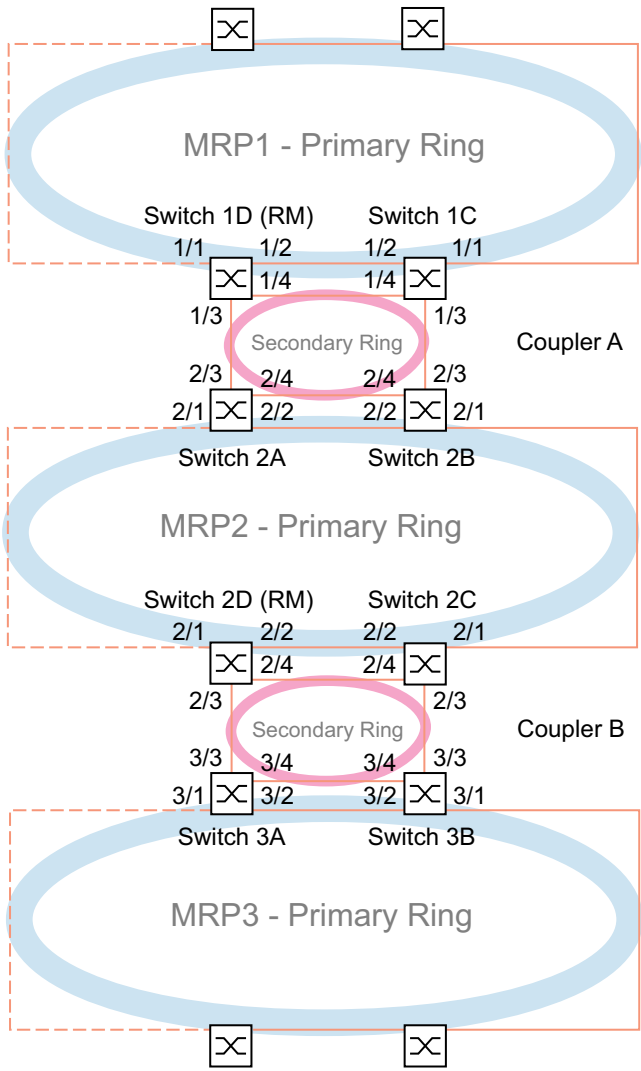




















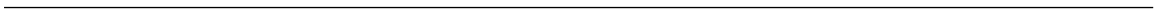


A series of 20 horizontal black lines, evenly spaced, providing a template for writing or drawing.



B+

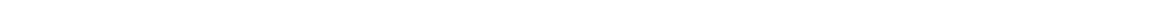
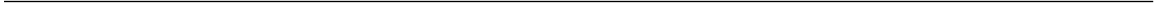












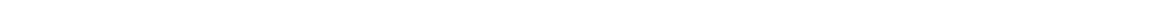
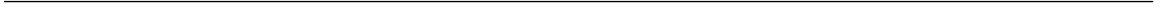
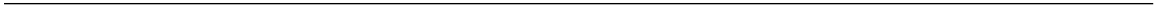
















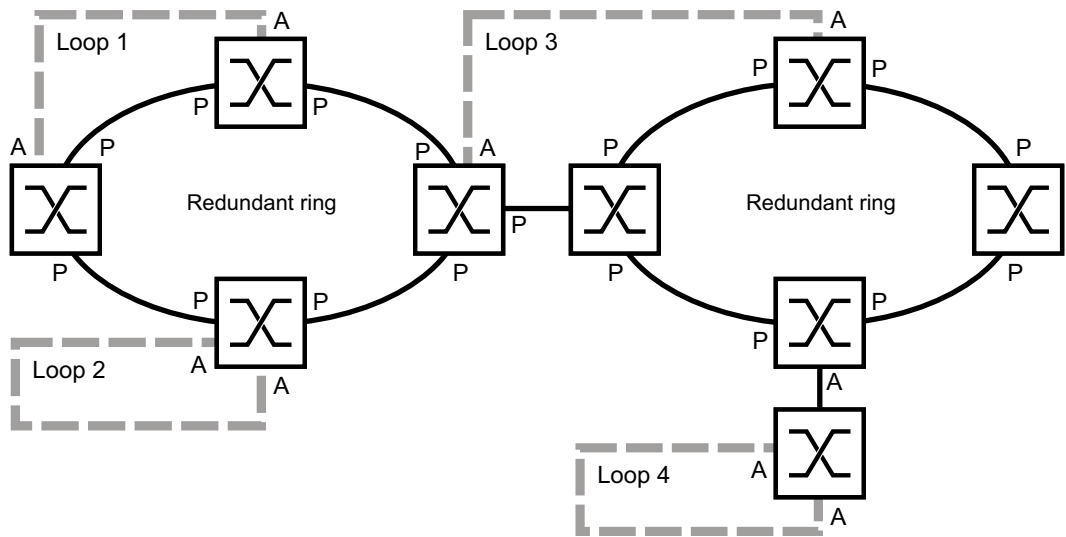






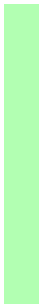














⊞
+



⊞
+











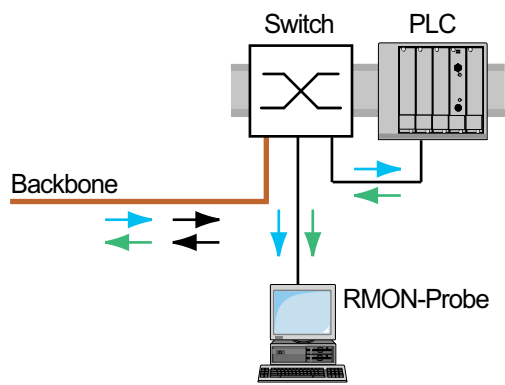
⌘+



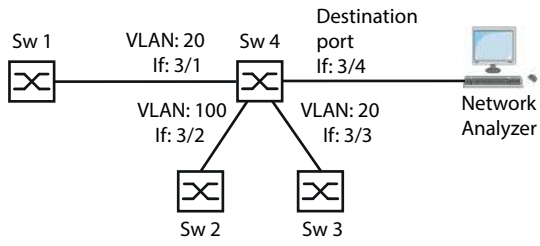




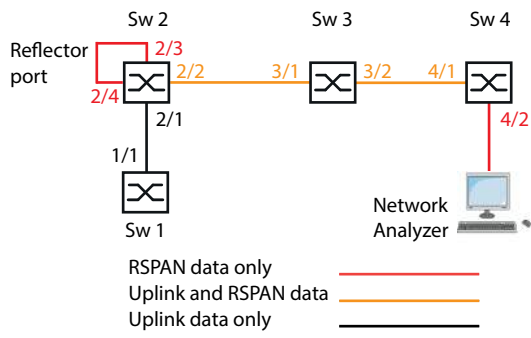












+

✓

✓



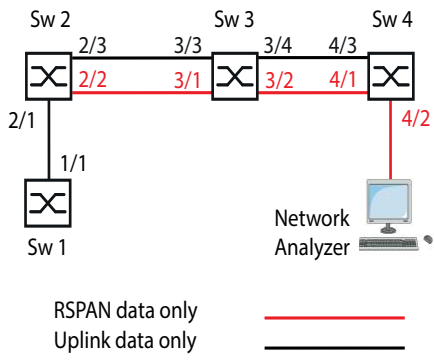
B+





Ⓜ+







+

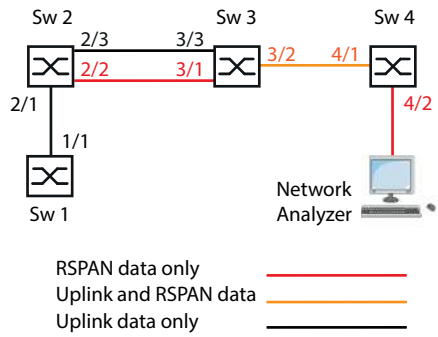






B+





+

✓

✓



B+





B+















⌘+

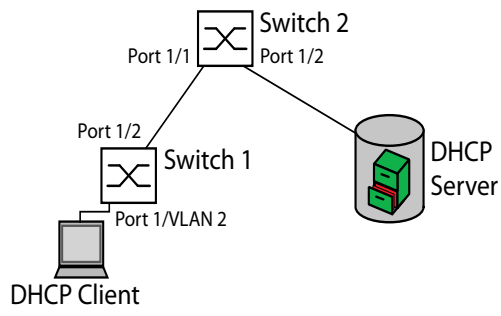




⌘+











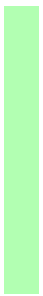


⌘ +



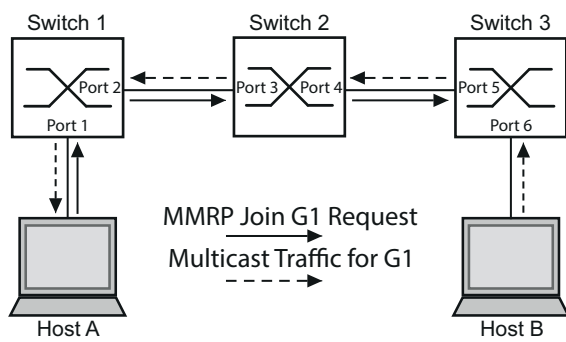




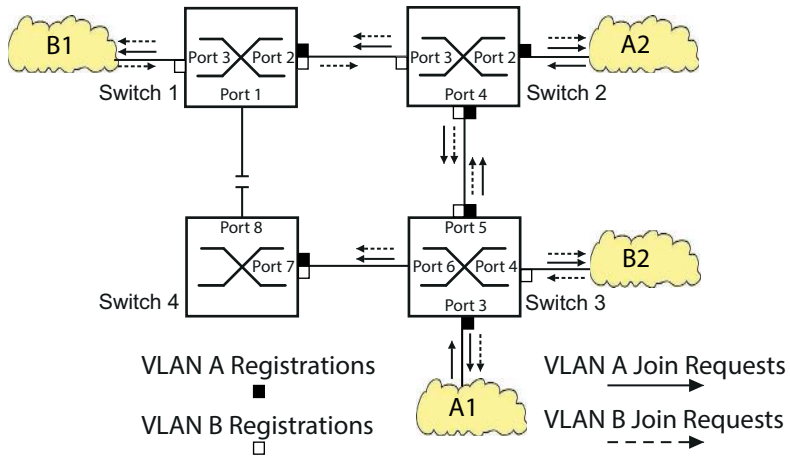


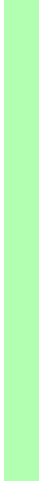


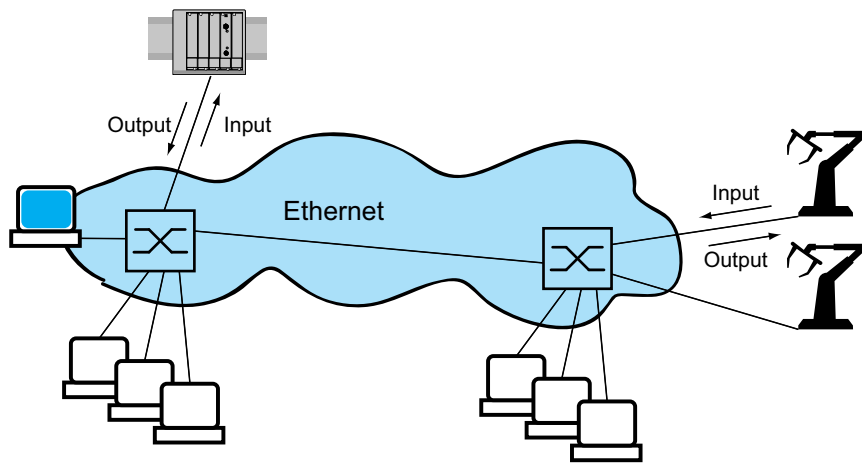


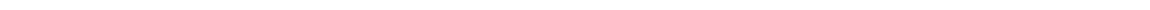
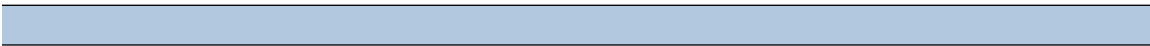
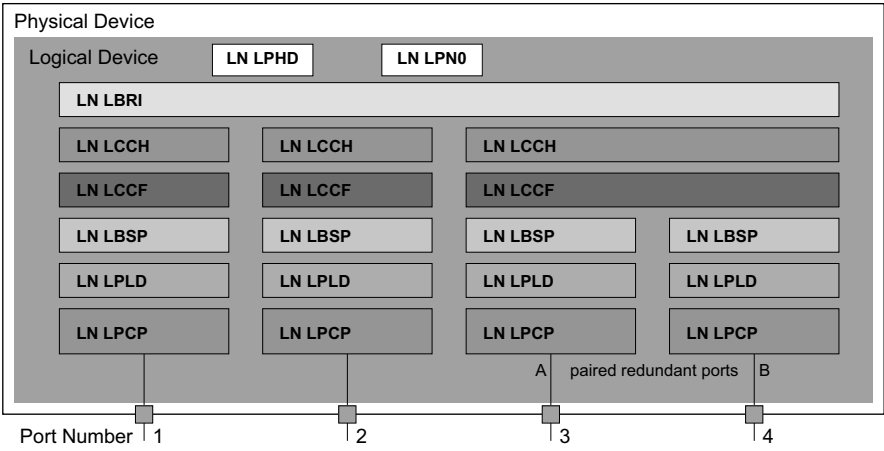










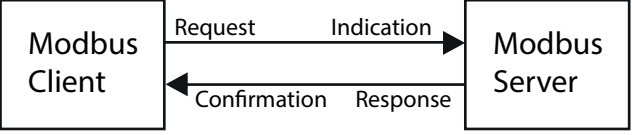














Lined writing area consisting of 25 horizontal black lines.

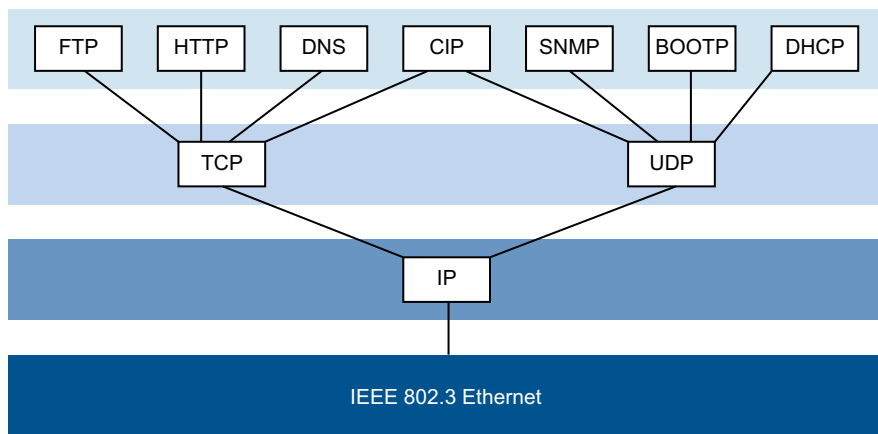
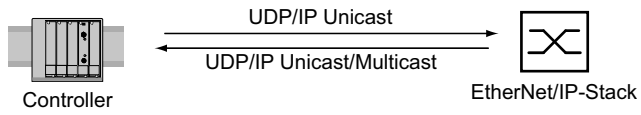


田+

✓

✓

















Blue header bar

Blue header bar







[Blue shaded header bar]

[Three horizontal lines]

[Blue shaded header bar]

[Eight horizontal lines]

[Blue shaded header bar]

[Six horizontal lines]

[Blue shaded bar]

[Horizontal line]

[Horizontal line]

[Horizontal line]

[Blue shaded bar]

[Horizontal line]

[Horizontal line]

[Horizontal line]

[Horizontal line]

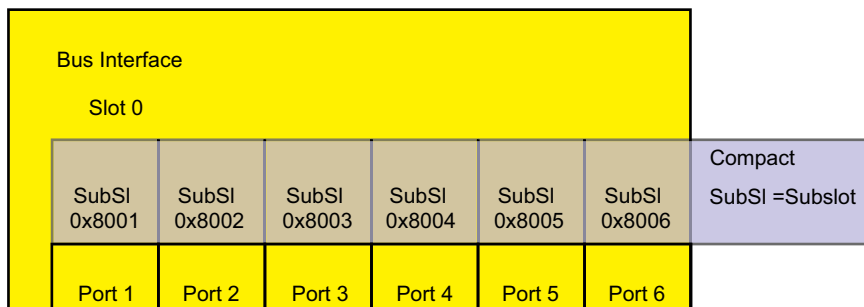
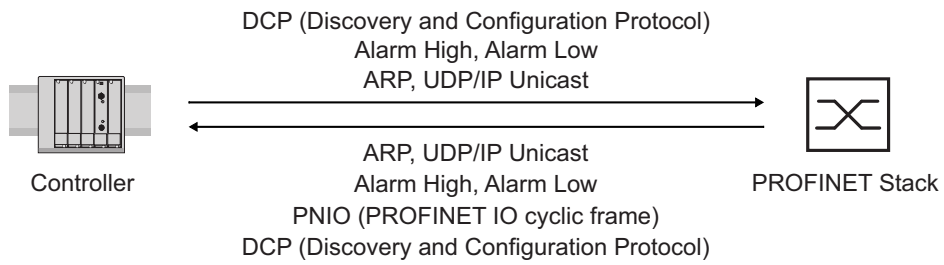
[Horizontal line]

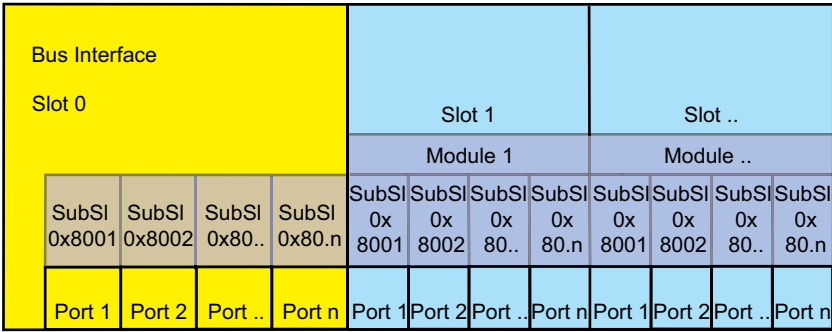
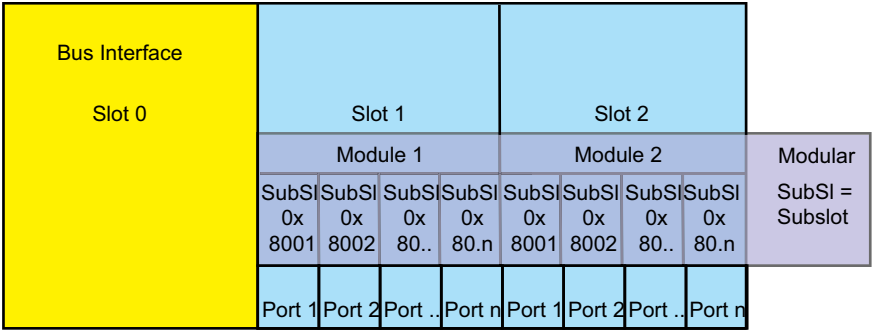
[Horizontal line]

[Horizontal line]

[Horizontal line]

[Horizontal line]



















A series of horizontal lines for writing, organized into 10 rows. Each row consists of a long left line and a shorter right line, creating a margin. The lines are evenly spaced and extend across most of the page width.





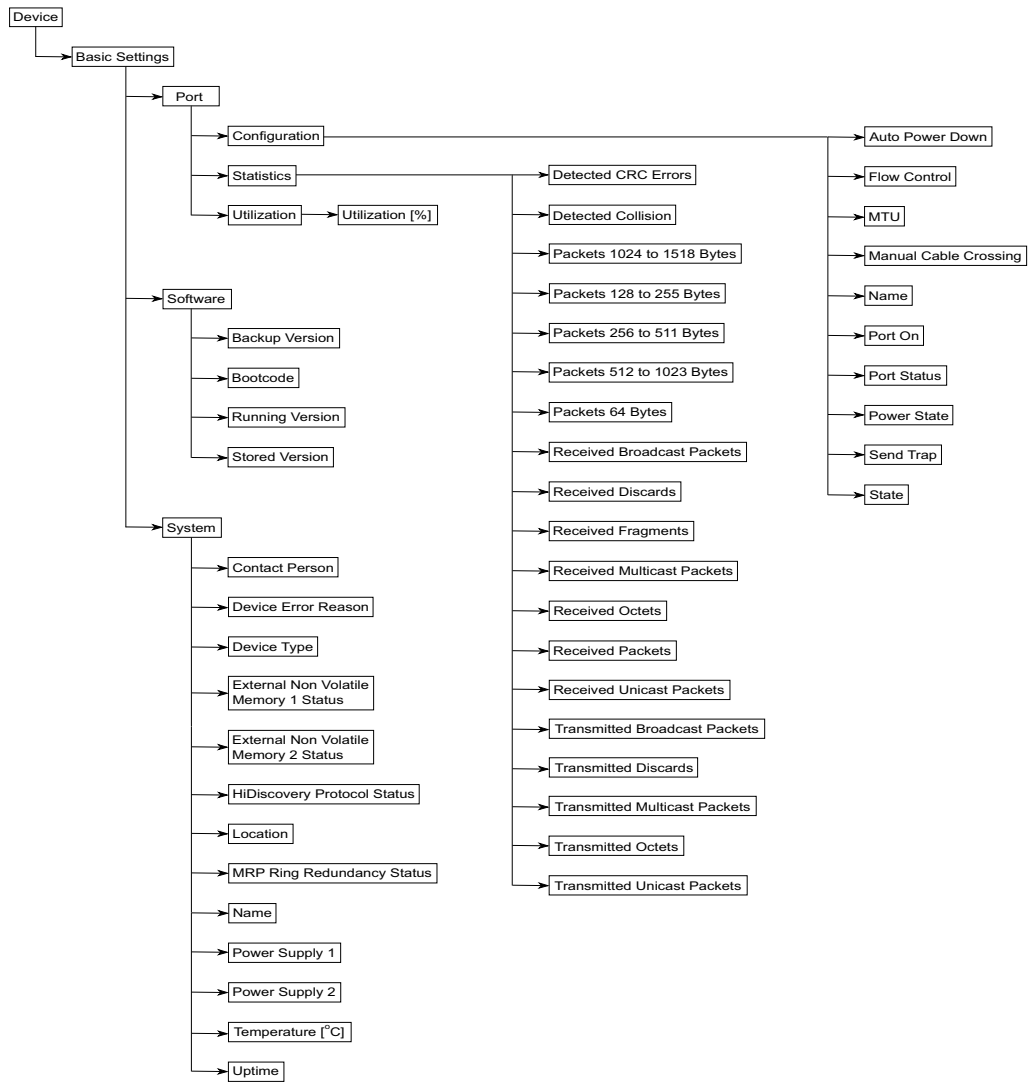
Section 1

- _____
- _____
- _____
- _____
- _____
- _____
- _____

Section 2

- _____
- _____
- _____
- _____
- _____
- _____
- _____

Section 3



Section 1

Blank lines for text entry.

Section 2

Blank lines for text entry.

Blank lines for text entry.

Blank lines for text entry.

Blank lines for text entry.

Blank lines for text entry.

Blank lines for text entry.





B+

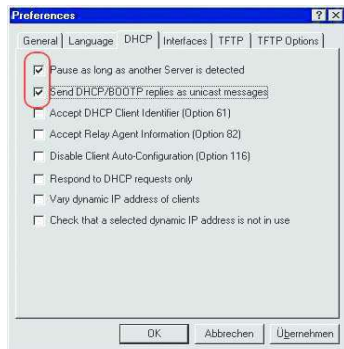


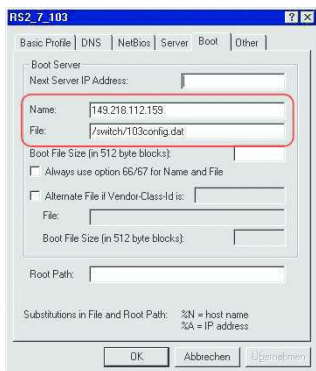
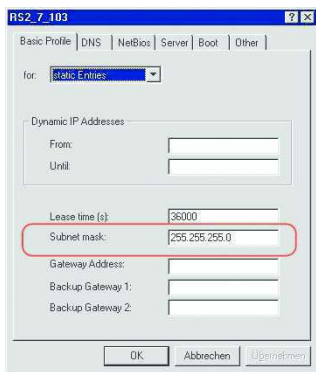
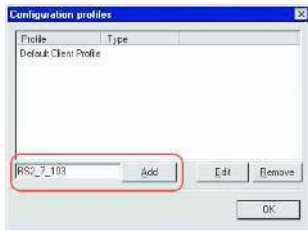


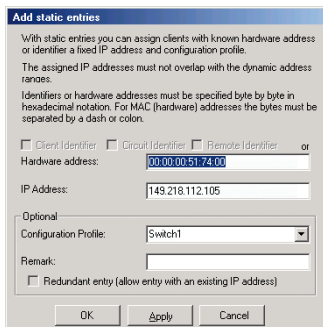
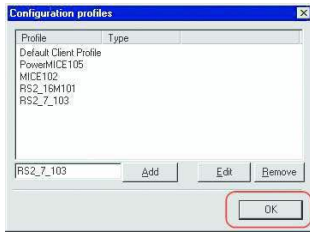


x









honeWIN DHCP Server 2.1.2

File Options Window Help

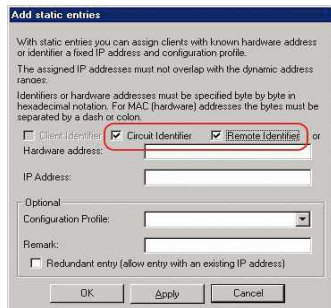
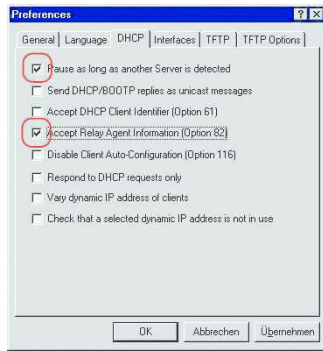
Observed MAC addresses/Id: 2/4

MAC Address/Id	Profile	IP Address	Last request on
00:80:63:51:74:00	PowerMICE105	149.218.112.105	03.06.05 14:23:22
00:80:63:10:9a:d7	MICE102	149.218.112.102	03.06.05 14:09:58
00:80:63:14:db:d5	RS2_16M101	149.218.112.101	
00:80:63:0f:1db0	RS2_7_103	149.218.112.103	

TFTP New... static dynamic ignored

Listening on Port: 67





Add static entries

With static entries you can assign clients with known hardware address or identifier a fixed IP address and configuration profile.
The assigned IP addresses must not overlap with the dynamic address ranges.
Identifiers or hardware addresses must be specified byte by byte in hexadecimal notation. For MAC (hardware) addresses the bytes must be separated by a dash or colon.

Client Identifier
 Circuit Identifier
 Remote Identifier
 or

Hardware address:

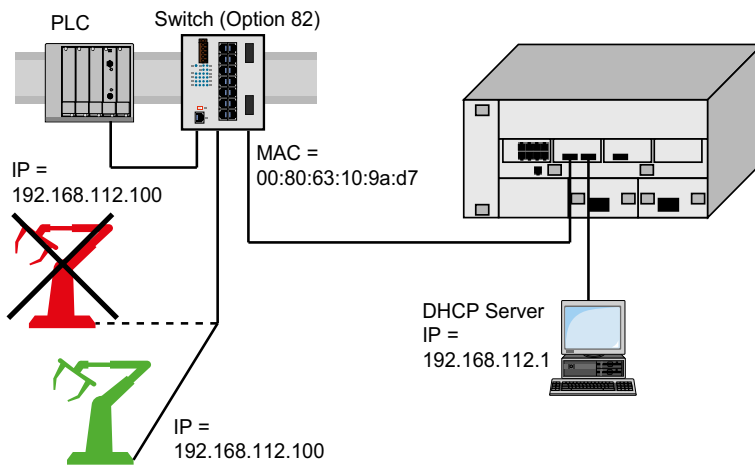
IP Address:

Optional

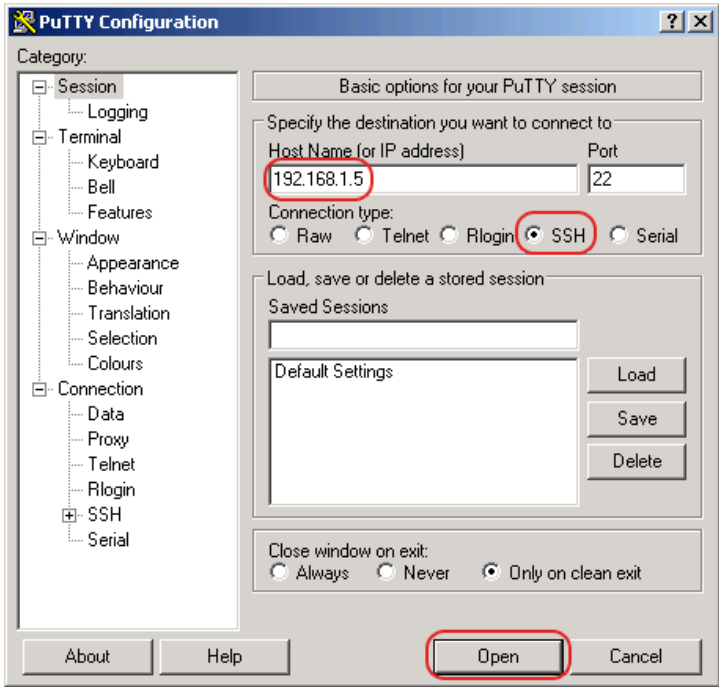
Configuration Profile:

Remark:

Redundant entry (allow entry with an existing IP address)





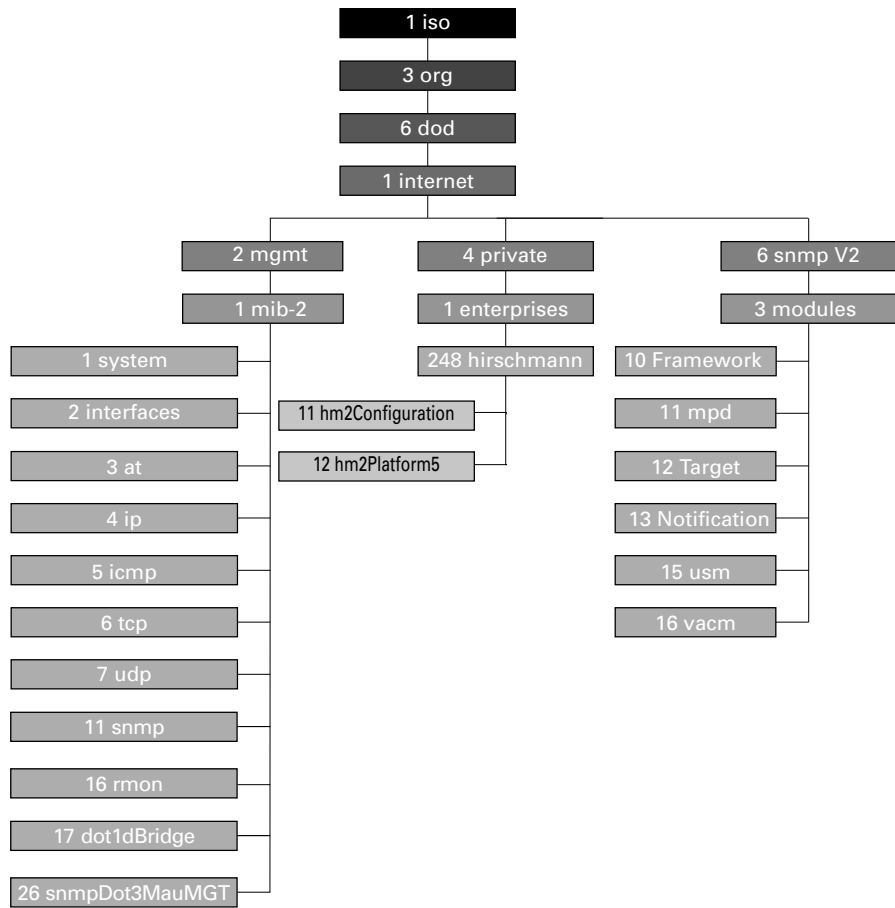












-













HIRSCHMANN