



HIRSCHMANN

A **BELDEN** BRAND

Mounting Instruction

Directional antenna for 5 GHz band

Directional high gain antenna, 18 dBi for 5 GHz band

Directional high gain antenna, 23 dBi for 5 GHz band

Narrow beam directional antenna for usage with 802.11n

BAT-ANT-N-18A-V-IP65

BAT-ANT-N-MiMo5-18N-IP65

BAT-ANT-N-23A-V-IP65

BAT-ANT-N-23A-VH-IP65

■ **Safety instructions**



WARNING

ELECTRIC SHOCK OR FALLING

Avoid mounting the antenna near power lines.

When installing an antenna from a ladder or elevating equipment, take precautions to avoid falling and ensure the equipment is securely positioned on solid ground.

Failure to follow these instructions can result in death, serious injury, or equipment damage.

■ General instructions

- ▶ If exposed to extreme environmental conditions, especially icy conditions or a polluted atmosphere, the connectors should be covered with a self-vulcanizing tape or a cold shrink tube.
- ▶ Relevant for North America:
Operate the antennas BAT-ANT-N-23A-V-IP65 and BAT-ANT-N-23A-VH-IP65 exclusively in point-to-point connections.

■ Disclaimer

All pertinent country, state, regional, and local safety regulations must be observed when installing and using this product. For reasons of safety and to help ensure compliance with documented system data, only the manufacturer should perform repairs to components. This equipment must only be installed and serviced by qualified personnel.

■ Measuring units

The dimensions are in mm.
The tightening torques are in lb in and Nm.

■ Contents

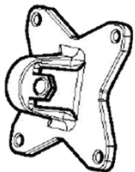



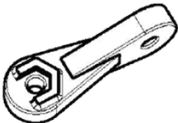




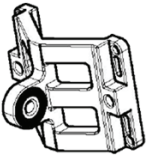
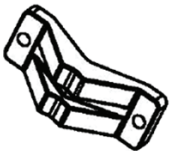

	Item 1 Antenna/enclosure base bracket 1 piece		Item 2 Flat washer M5 4 pieces
	Item 3 Spring washer M5 4 pieces		Item 4 Nut M5 4 pieces
	Item 5 Arm bracket 1 piece		Item 6 Bolt M8x40 4 pieces
	Item 7 Flat washer M8 4 pieces		Item 8 Spring washer M8 4 pieces
	Item 9 Nut M8 2 pieces		Item 10 Flat surface/pole bracket 1 piece
	Item 11 Clamping bracket 1 piece		Item 12 Bolt M8x70 2 pieces

Table 1: Contents

■ Mounting the base bracket to the antenna

- Attach item 1 to the back of the antenna using items 2, 3, and 4 as shown.
- Verify that the orientation of the hole in item 1 is aligned with the vertical axis (A).

Note: Use a tightening torque of 50.4 lb in / 5.7 Nm.

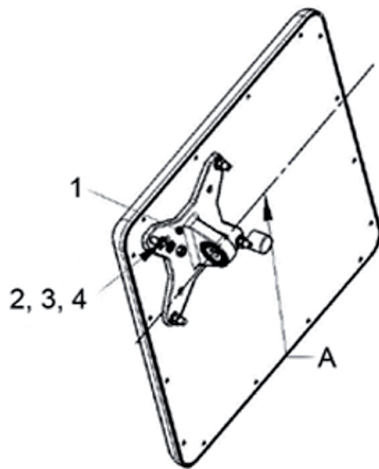


Figure 1: Mounting the base bracket on the antenna

■ Mounting the antenna to a pole

- Place item 6 in the socket of item 1, positioning the bolt head in the socket.
- Connect item 10 to item 1 (mate the knurled surfaces) using items 7, 8 and 9, as shown.

Note: Use a tightening torque of 212.4 lb in / 24 Nm.

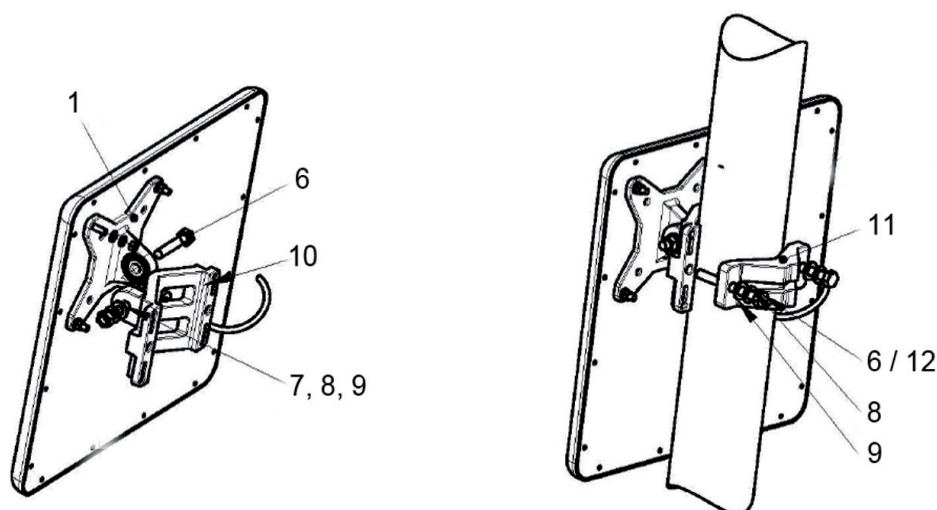


Figure 2: Connecting the brackets and mounting the antenna

- Attach the antenna to the pole using item 11.
- Connect item 11 to item 10 using items 7, 8, 9, and 12 (for a larger pole diameter) or 6 (for a smaller pole diameter).

Note: Use a tightening torque of 123.9 lb in / 14 Nm.

■ Surface mounting the antenna

- Place item 6 in the socket of item 1, positioning the bolt head in the socket.
- Connect item 5 to item 1 (mate the knurled surfaces) using items 7, 8 and 9, as shown.

Note: Use a tightening torque of 212.4 lb in / 24 Nm.

- Mount item 10 on the flat surface in the desired position.

Note: Note the vertical (A) and horizontal (B) axes orientation.

- Place item 6 in the socket of item 5, positioning the bolt head in the socket.
- Connect item 5 to item 10 (mate the knurled surfaces) using items 7, 8 and 9, as shown.

Note: Use a tightening torque of 212.4 lb in / 24 Nm.

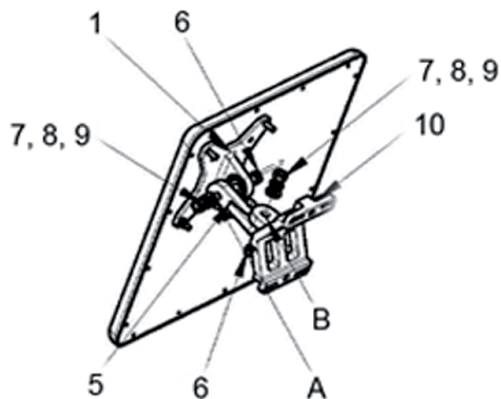


Figure 3: Surface mounting the antenna